



SHAEC26003349002

2026 02 06

1

8

6

J2G

J05G J1G J3G J5G J10G J20G

SGS

TIC1020260202155010N0UI

2026 02 03

2026 02 03 ~ 2026 02 06

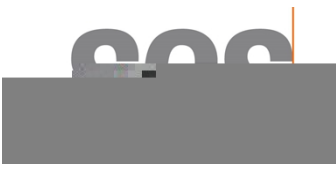
RoHS	2011/65/EU	II	(EU) 2015/863-
(DEHP)	(PBB)	(BBP)	(2- )
(DIBP)			(DBP)

成豐箭

Sue Sheng

Scan to see the report





:

		SGS ID	
SN1	A1	SHA26-0033490-0001.C001	/

(1) 1 mg/kg = 1 ppm = 0.0001%

(2) MDL=

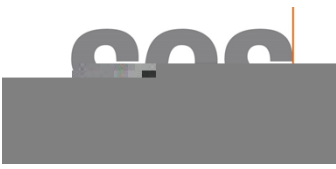
(3) ND = (< MDL)

(4) "-" =

RoHS	2011/65/EU	II	(EU) 2015/863-	(PBB)
(PBDE)	(2-	)	(DEHP)	(BBP)
(DBP)	(DIBP)			

IEC 62321-4:2013+AMD1:2017 IEC 62321-5:2013 IEC 62321-7-2:2017 IEC 62321-6:2015 IEC 62321-8:2017 ICP-OES/AAS UV-Vis GC-MS

			MDL	A1
(Pb)	1000	mg/kg	2	ND
(Hg)	1000	mg/kg	2	ND
(Cd)	100	mg/kg	2	ND
(Cr(VI))	1000	mg/kg	8	ND
(PBB)	1000	mg/kg	-	ND
(MonoBB)	-	mg/kg	5	ND
(DiBB)	-	mg/kg	5	ND
(TriBB)	-	mg/kg	5	ND
(TetraBB)	-	mg/kg	5	ND
(PentaBB)	-	mg/kg	5	ND
(HexaBB)	-	mg/kg	5	ND
(HeptaBB)	-	mg/kg	5	ND
(OctaBB)	-	mg/kg	5	ND
(NonaBB)	-	mg/kg	5	ND
(DecaBB)	-	mg/kg	5	ND
(PBDE)	1000	mg/kg	-	ND
(MonoBDE)	-	mg/kg	5	ND
(DiBDE)	-	mg/kg	5	ND
(TriBDE)	-	mg/kg	5	ND
(TetraBDE)	-	mg/kg	5	ND
(PentaBDE)	-	mg/kg	5	ND
(HexaBDE)	-	mg/kg	5	ND
(HeptaBDE)	-	mg/kg	5	ND
(OctaBDE)	-	mg/kg	5	ND



SHAEC26003349002

2026 02 06

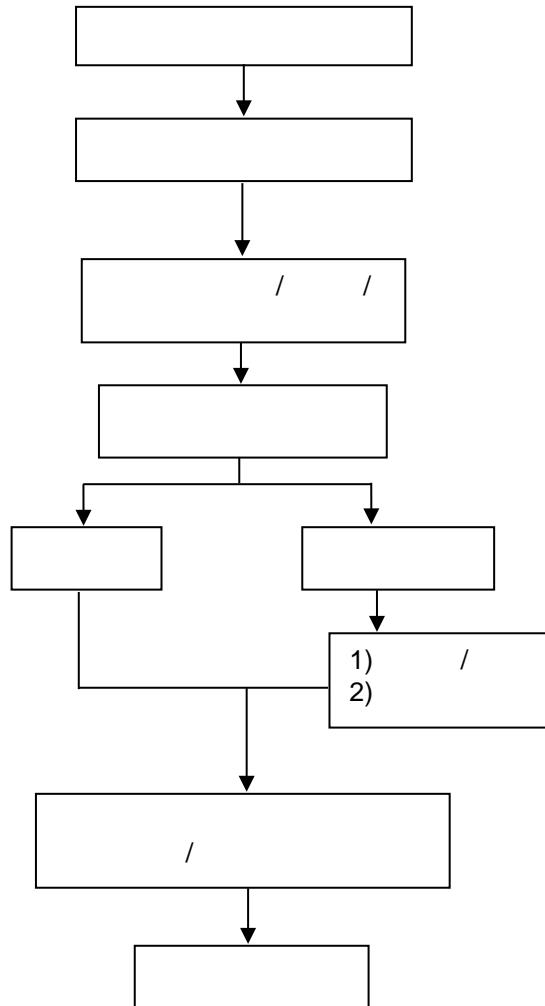
3 8

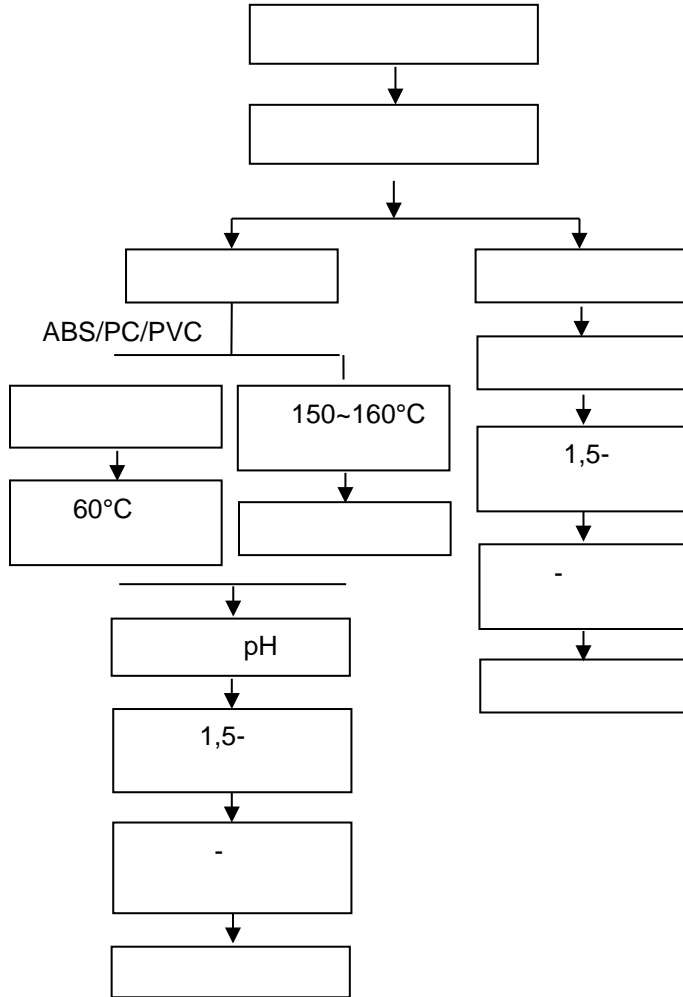
			MDL	A1
(NonaBDE)	-	mg/kg	5	ND
(DecaBDE)	-	mg/kg	5	ND
(2- ) (DEHP)	1000	mg/kg	50	ND
(BBP)	1000	mg/kg	50	ND
(DBP)	1000	mg/kg	50	ND
(DIBP)	1000	mg/kg	50	ND

- (1) RoHS (EU) 2015/863
- (2) IEC 62321 EN 62321
- (3) 2021 7 22 DEHP BBP DBP DIBP

ILAC-G8:09/2019

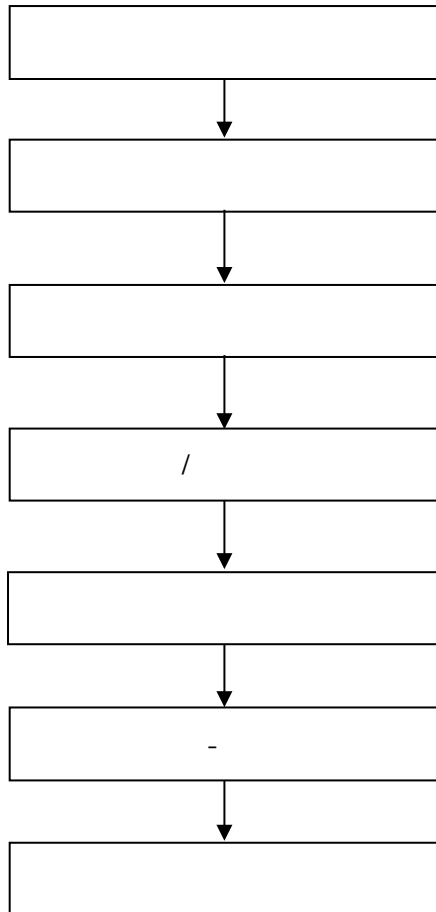
w=0







**PBB(s)/PBDE(s)**





SHAEC26003349002

2026 02 06

7

8

**Phthalates**

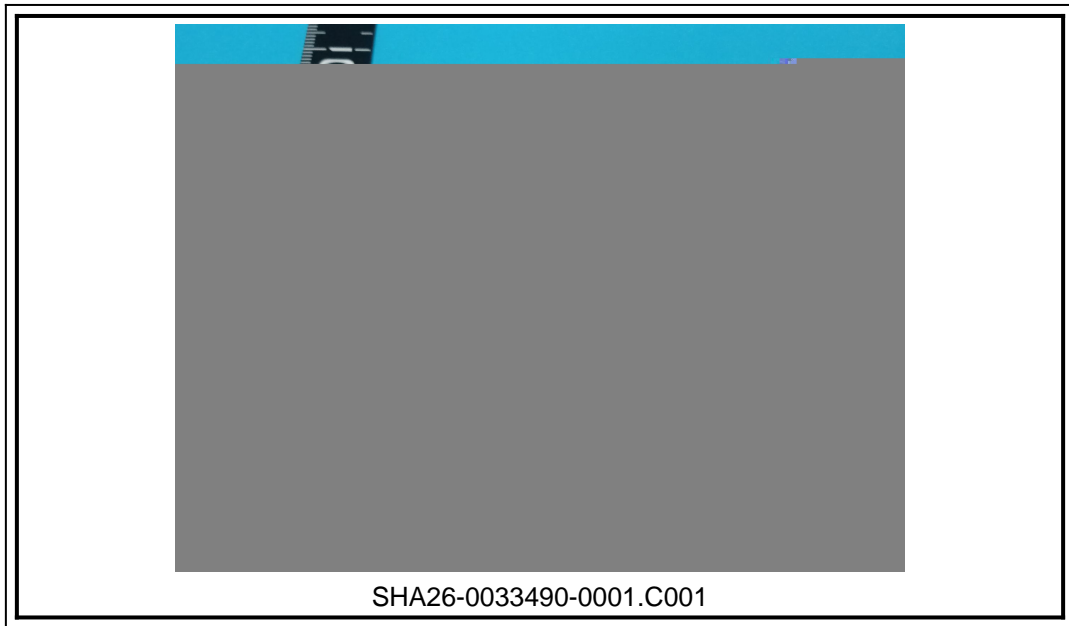


SHAEC26003349002

2026 02 06

8

8



SGS

\*\*\*

\*\*\*