



- 2 & 9 % ; ' 3 6 6 H U L H V

5HY \$

^ Z / W d / K E W

7KH SURGXFWV DUH YHROWIDQ HD RSSONDR/ WHE
ZLWK GLIIHUHQW OOHND G7 KRHU @ HQ U FRHS WRL G
KLJK YROWDJH RXWSXW GHWHFWWRG ULLY
JDWHV RI SRZHU 026)(7V RU , * % 7V 7KH
XVHG LQ VXSSO\ IRU HOHFWURQLF FLU

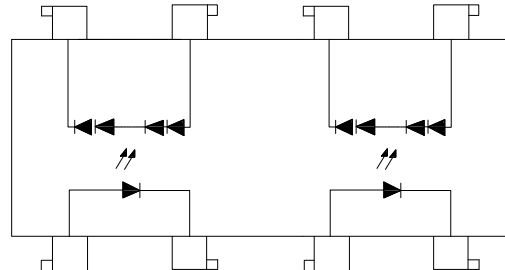
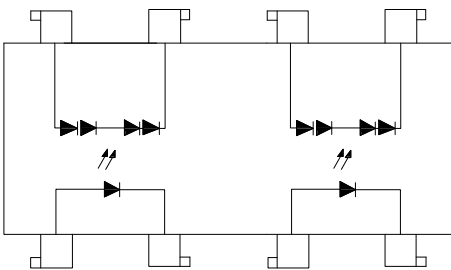


DSDEC
JH ZLG
LYH VR

D / E & dhZ ^

+LJK LVRODWLRQ 9506
2SHUDWLQJ WHPSRUDWXUJ& WR f &
5R+6 5(\$&+ &RPSOLDQFH
+%0 + \$ 00 0 &'0 &
&4& DSSURYHG
9'(DSSURYHG
8/ DSSURYHG

^ Z u š]



: K s î î ï r ô W I ^

^ K > h d D y / D h D Z H / E S A U D W X U H f &

	3DUDPHWHU	6\PERO	9DOXH	
, Q S X W)RUZDUG &XUUHQW ,)			
	3HDN)RUZDUG &XUUHQW		7	\$
	5HYHUVH 9ROWDJH 95			
	3RZHU 'LVVLSDWLRQ 3'			
, VRODWLRQ 9ROWDJH	9LVR		8	9UPV

8QL

- 2 & 9 % ;



- LH-LH 0LFURHOHFWURQL

2SHUDWLQJ 7HPSHUDWXUH	7 _{RSU}	a	
-XQFWLRQ 7HPSHUDWXUH	7 _M		
6WRUDJH 7HPSHUDWXUH	7 _{VWJ}	a	
6ROGHULQJ 7HPSHUDWXUH	7 _{VRO}		

Ekd ïï • %µo • U ïï, ï (œ ‹µ v Ç
 EKd î (}œ íu]vµš U ZX, XAðï • òì9

> dZ/ > , Z d Z7H0/SHUDWXUH f&

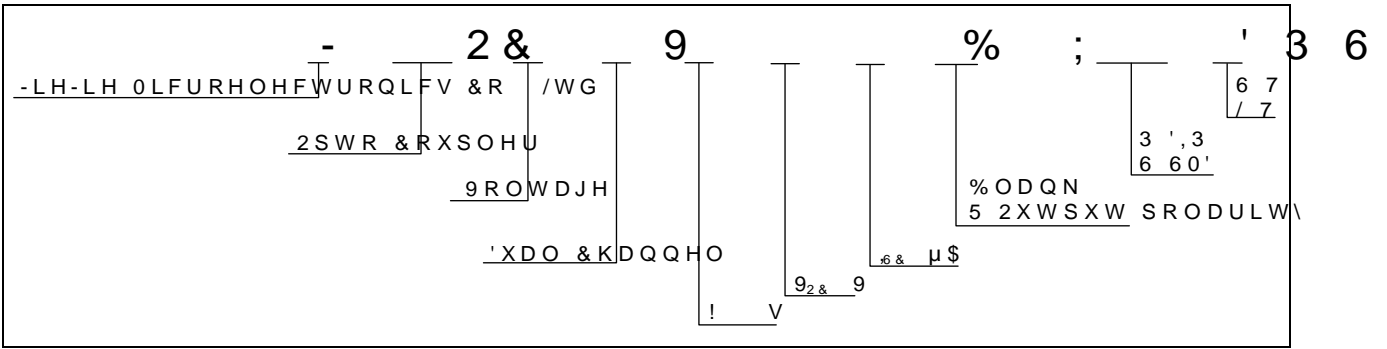
3DUDPHWHU		6\PERO	&RQGLWLRQ	0LQ	7
,QSXW)RUZDUG 9ROWDJH) P\$,		9
	5HYHUVH &XUHQW	5 9	9		\$
2XWSXW	2SHQ &LUFXLW 9ROWDJH	1) P\$ 2) P\$	9		9
	6KRUW &LUFXLW &XUHQW	92) P\$,		\$
7UDQVIHU &KDUDFWH	,VRODWLRQ UHVLYWDQFH	'& 9 a 5 +	5		
	HULVWLFV 5HVSQRVH 7LPH	WQ W1) P\$		V

- 2 & 9 % ;



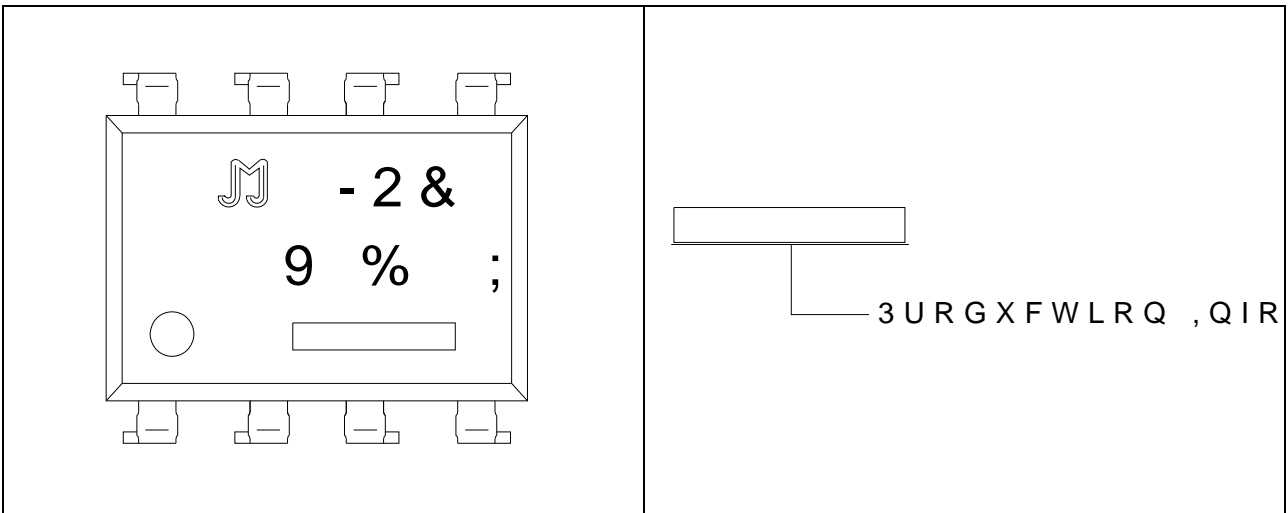
-LH-LH 0LFURHOHFWURQL

KZ Z/E' /E&KZD d/KE



W I]vP Yμ vš]šÇ			
K% š]]v	Yμ vš]šÇ	Yμ vš]šÇ t /vv Œ }Æ	Yμ vš]šÇ
/W	ñi hv]š•ldμ	ði d]μÆ •l/vñ/Œv Œ }ÆIKμšvŒš• }Æ A	
^D	íiii hv]š•IZ o	î Z}Æ•l/vñ Œv v Œ }ÆIKμšvŒš• }Æ A	

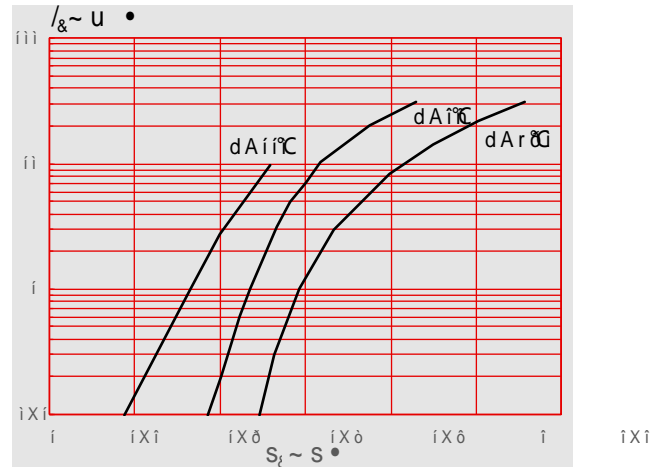
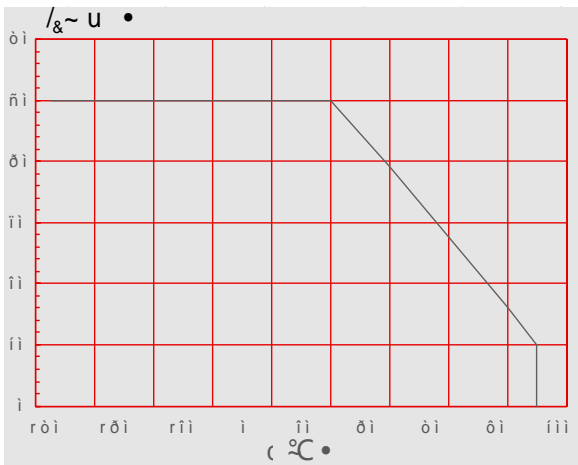
D Z</E'



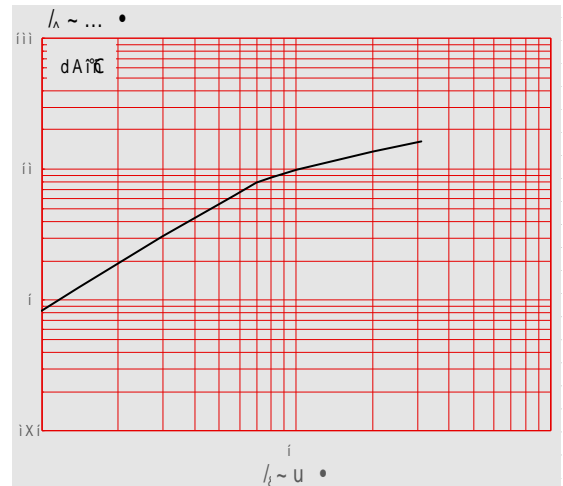
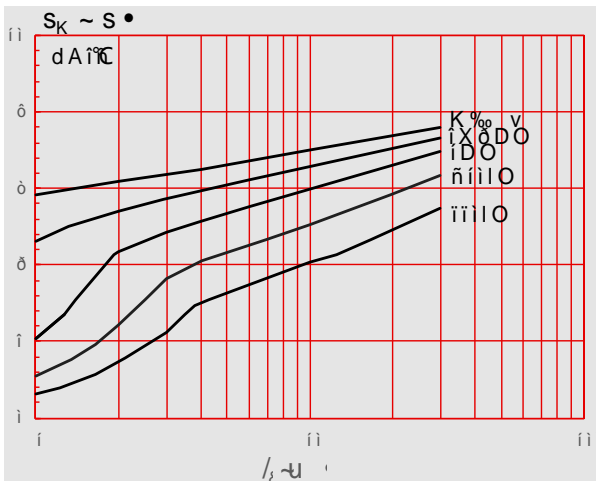


Z Œ š Œ]•š] • μŒÀ •

),* 0D[\$ŒORZDEOH /(')RUZDUG &XUURQZDUG &XUUHQW YV)RUZDUG \$PELHQW 7HPSHUDWXUH

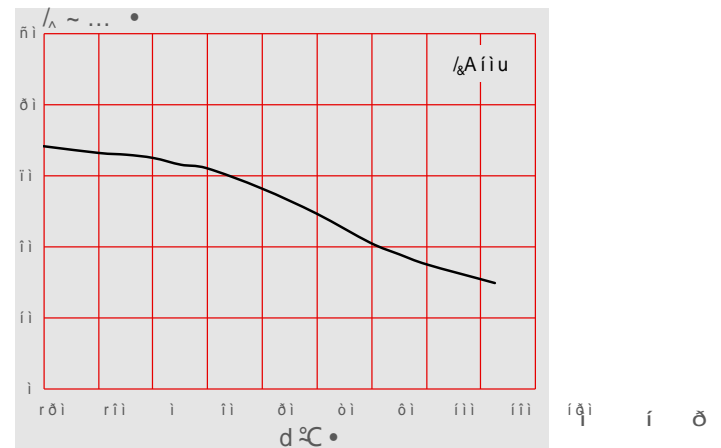
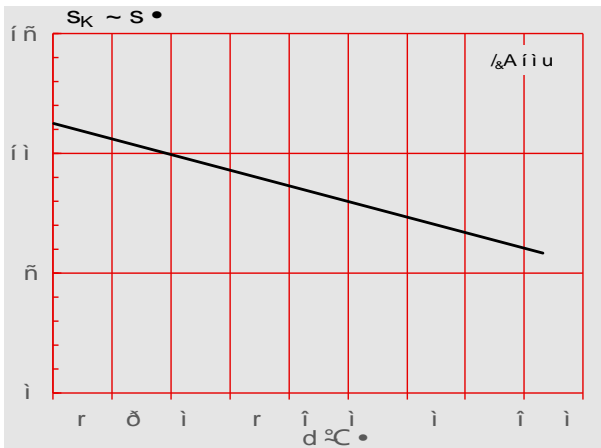


),* 2SHQ &LUFXLW 9ROWDJH YV)RUZDUG &XUURQZDUG &XUUHQW YV &XUUHQW



),* 2SHQ &LUFXLW 9ROWDJH YV 7HPSHUDWXUH

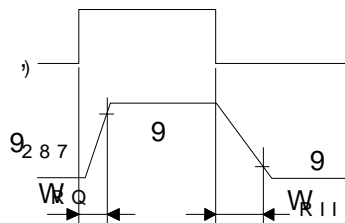
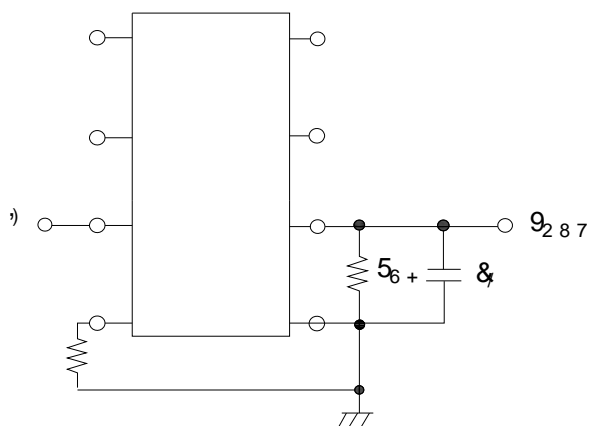
\$PELHQW &LUFXLW &XUUHQW YV 7HPSHUDWXUH





d •š]Œ μ]š•

),* 5HVSQRVH 7LPH 7HVV &LUFXLW :DYHIRUP

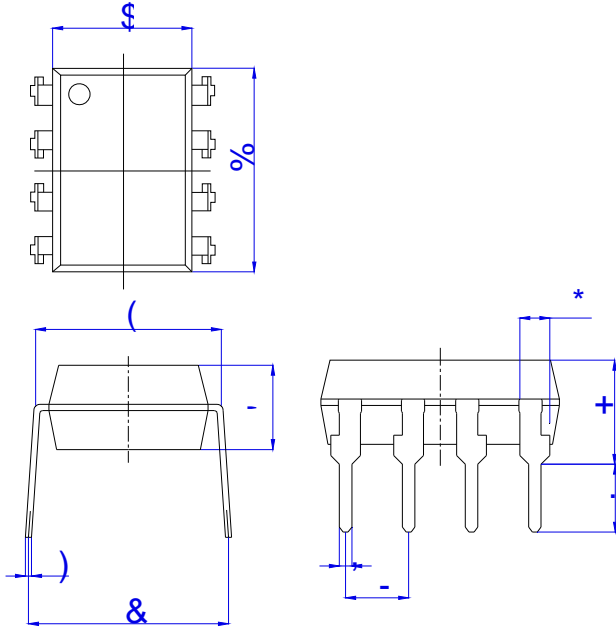


- 2 & 9 % ;



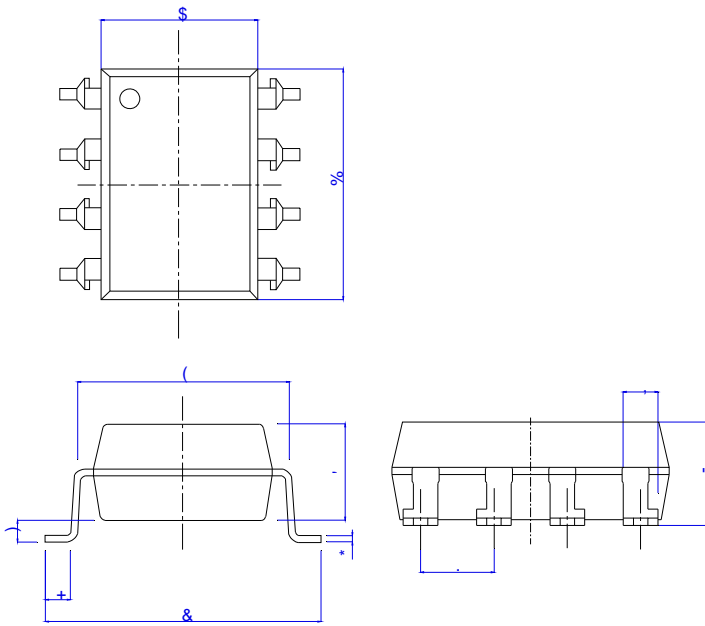
- LH-LH 0LFURHOHFWURQL

W I P [u v •] } v ~ hv] š W uu •
6WDQGDUG ' , 3 7 \ SH



5HI	'LPHQVLRQV					
	0LOOLPHWHUV			,QFKHV		
	0LQ	7\S	0D[0LQ	7\S	0D[
\$						
%						
&						
'						
(
)						
*						
+						
,						
-						
.						

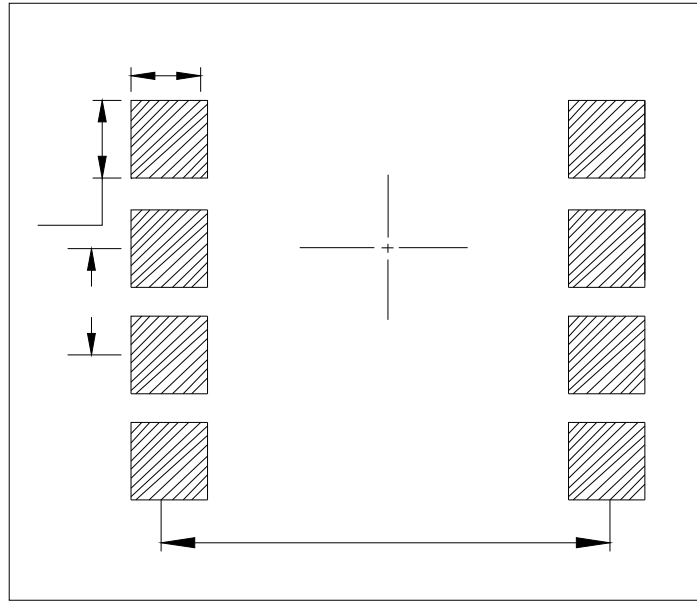
2SWLRQ 60' 7 \ SH



5HI	'LPHQVLRQV					
	0LOOLPHWHUV			,QFKHV		
	0LQ	7\S	0D[0LQ	7\S	0D[
\$						
%						
&						
'						
(
)						
*						
+						
,						
-						
.						

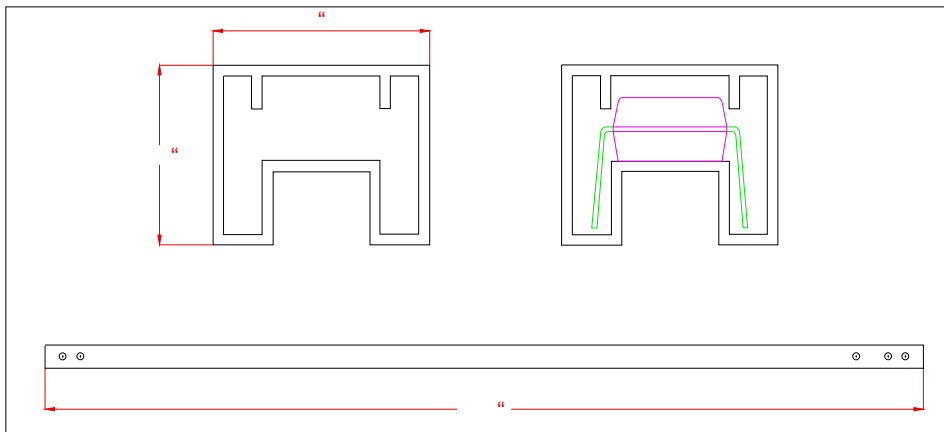


Z KDD E ^K> Z D ^< ~]u v•]}v•]v uu μvo •• }šZ Œ



dh ^W /&/ d/KE^ ~]u v•]}v•]v uu μvo •• }šZ ŒÁ]•

6WDQGDUG ',3



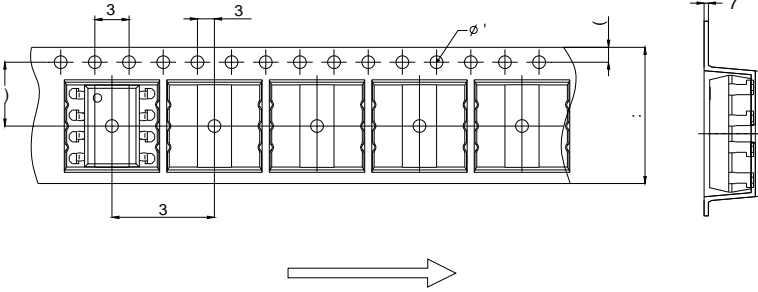
- 2 & 9 % ;



- LH-LH 0LFURHOHFWURQL

ZZ/ Z d W ^W /&/ d/ħ]E^ }v]uu μνo •••ššž ĆÁ]•

2SWLRQ 6



5HI	'LPHQVLRQV					
	0LOOLPHWHUV ,QFKHV					
	0LQ	7\S	0D[0LQ	7\S	0D[
,						
3						
3						
3						
(
)						
7						
:						

2SWLRQ /

5HI	'LPHQVLRQV					
	0LOOLPHWHUV ,QFKHV					
	0LQ	7\S	0D[0LQ	7\S	0D[
,						
3						
3						
3						
(
)						
7						
:						

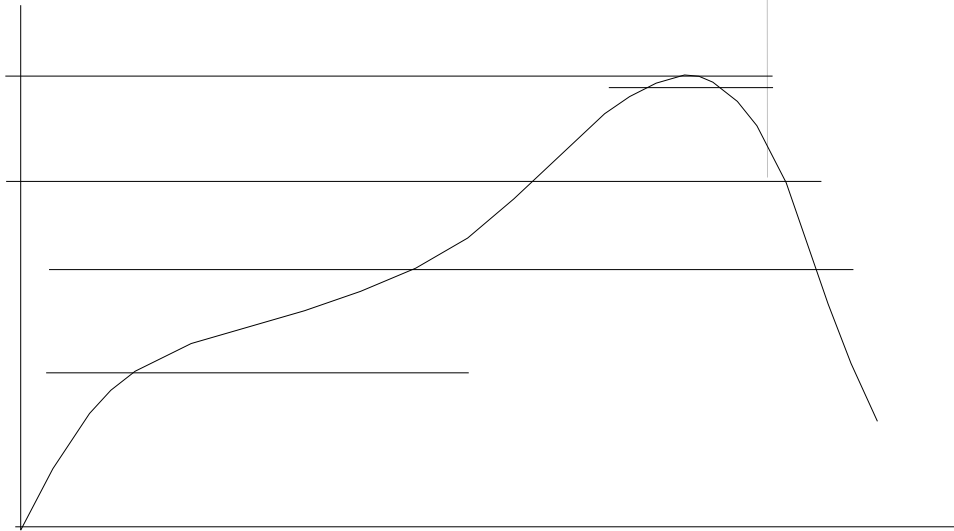
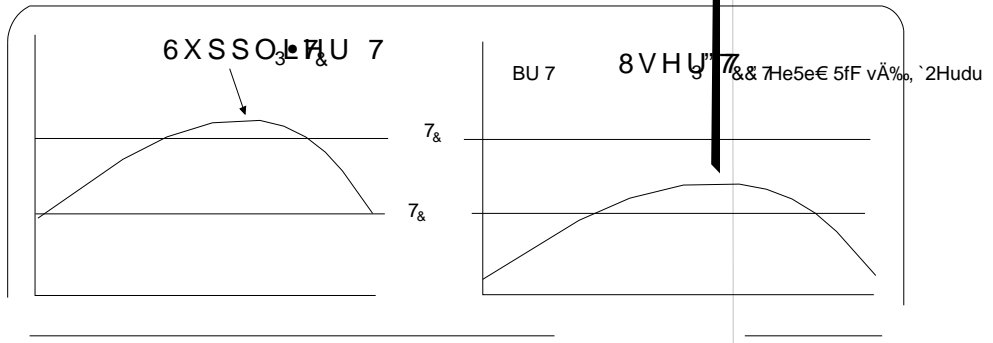
- 2 & 9 % ;



- LH-LH 0LFURHOHFWURQL

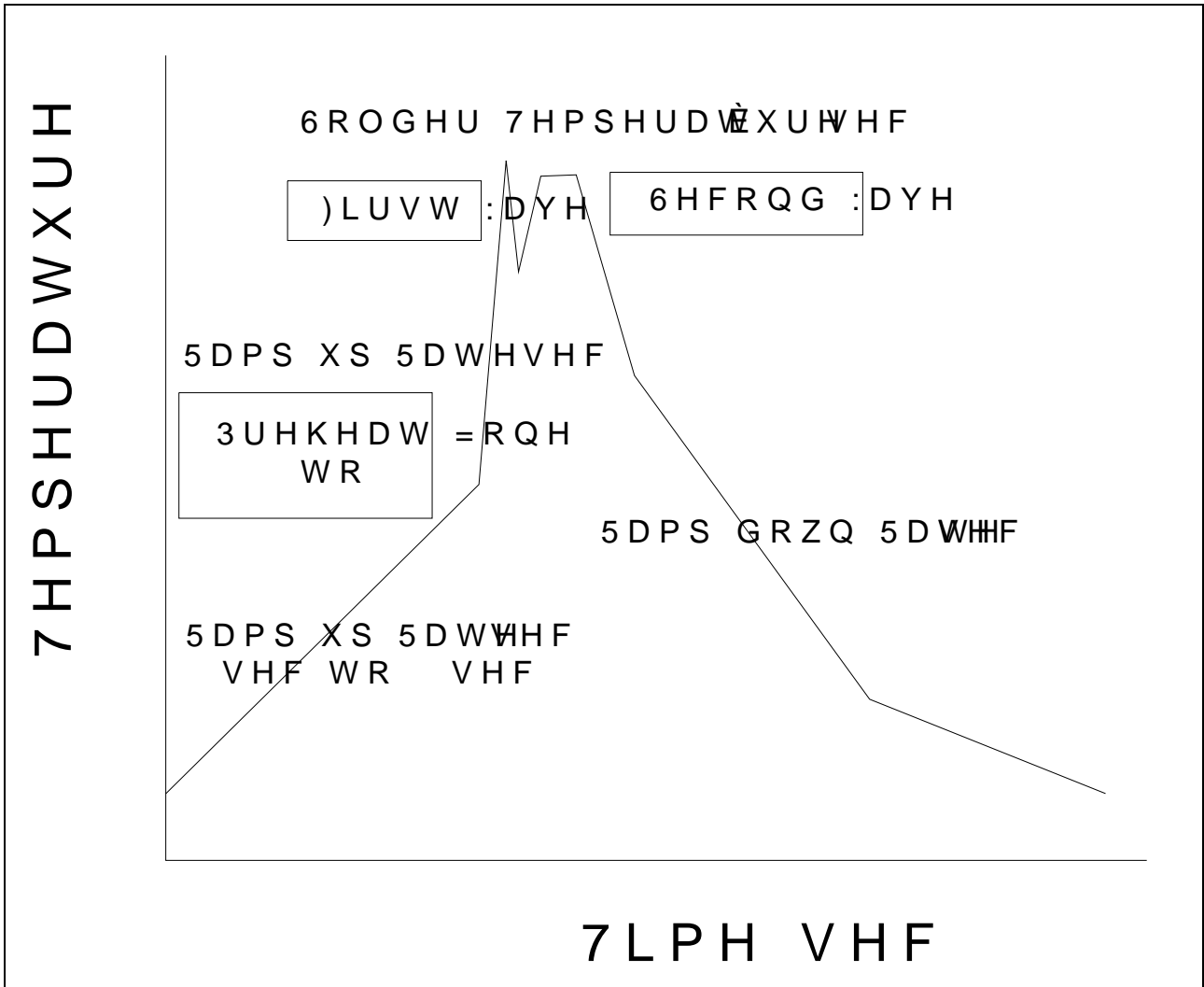
Z & > Kt / E & KZD d / KE

HU 2 • € p





t s ^K> Z/E'



, E ^K> Z/E' z ^K> Z/E' /ZKE

6ROGHULQJ 7HPSHUDWXUH	f
6ROGHULQJ 7LPH	V PD[

- 2 & 9 % ;



- LH-LH 0LFURHOHFWURQL

1RWH

5HIORZ VROGHULQJ LV UHFRPPHQGHG/ DWRZKH WRPSHWDWWDG WBO
\$YRLG GLUHFV FRQVHDVSRPHFRZDQWRXLD FRUV H[FHHGLQJ LWV PD
VWRUDJH WHPSHUDWXUH

\$SSOLFDWLRQ RKHSURVXENRQLVLSOHGDDWHG WHPSHUDWXUHV ,QV
VFHQDULRV DQHPSVOLGRWRHFFHHG 1

(QVXUH WKH FRPSRQHQW KDV FRROHG SURPHWHKODQZLXPSWHDXHCL
PDQXIDFWXULQJ VWHSV

7KH FRPSRQHQW KDV BQKHODUOZKHQVWDQGHGKFRQGLWLRQV

5HFRPPHQG VWRUDJH 7HPS a f&

5HFRPPHQG VWRUDJH KXPLGLW\

06/ OHYHO 06/

,QIRUPDWLRQ IXUQXFKHQ/ LQ WKOLHGMFB DORGEUHDOLDXEUDH +R
-LDQJVVX -LH-LH 0LFRURHOHFWWDVROXLFVVOQRV UHRVSRQVLEIRQVHT
RI XVH ZLWKRXW FRQVLGHUDWLRQ IRG MWFKQIQURPDVWLRQ
LQ WKLV GRFXPHQVLDQJYXZLWHFRXWRQRWLFH DSDUW IURP V
VLJQHGH -LDQJVVXOLHVLZLFRKPKKH DJUHHPHQW

3URGXFVV DQG LQIRUPDWLRQ SURYLGHG LQPHQWVRGSRDXPH
-LDQJVVX -LH-LH DVVXIPHLOQR\URVSRQVLIULQJHPPHQW RI RW
ZKLFK PD\ UHVXOW IURP WKH XVH RI VFKLW SURFXPHQW DVXS HL
DQG UHSODFHV DOO LQIRUPDWLRQ SUHYLRXVO\ VXSSOLHG



LV D UHJLVWHUHG QJDXGLHDUN RLF-URHOHFWWURQLFV &R
&RS\ULJKW -LDQJVVX -LH-LH 0LFURHOHFWUSFOOHGLJKWV UHVH