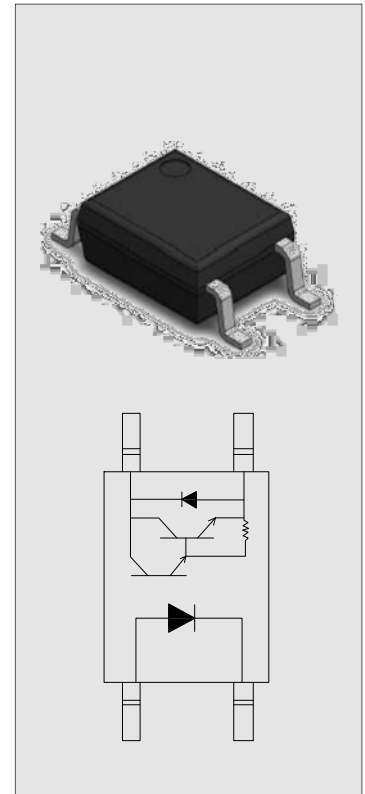




DESCRIPTION:

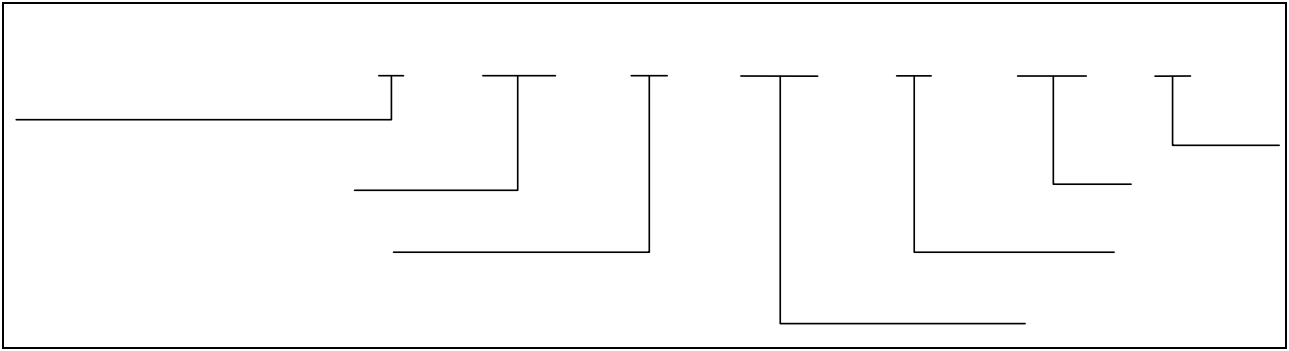
MAIN FEATURES



ABSOLUTE MAXIMUM RATINGS

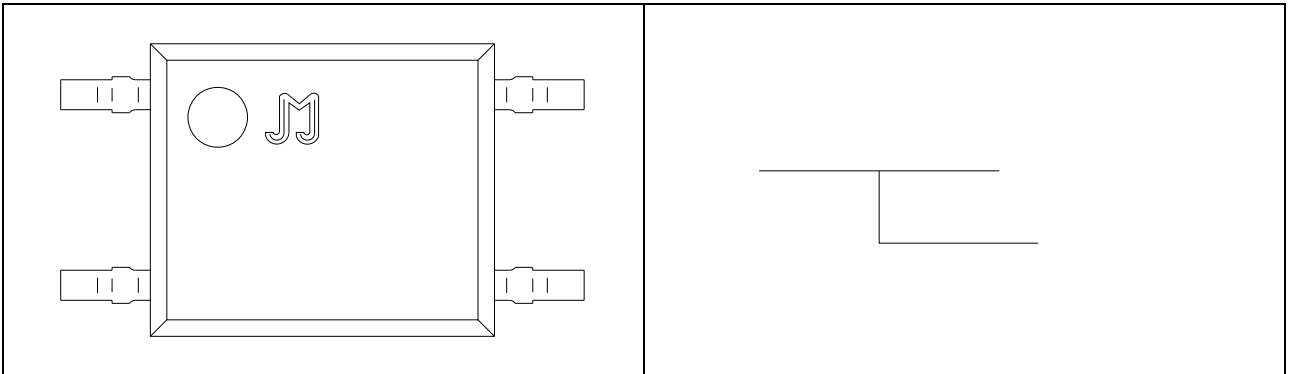
Parameter	Symbol	Value	Unit
		①	
		②	
			°C
			°C

ORDERING INFORMATION



Packing Quantity	
Option	Quantity

MARKING



Characteristics Curves

FIG.1:

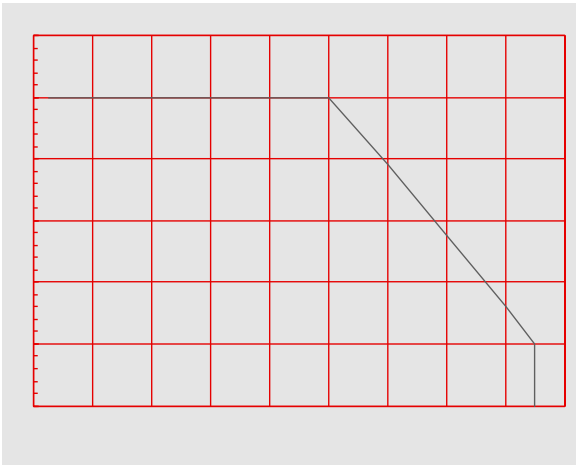


FIG.2:

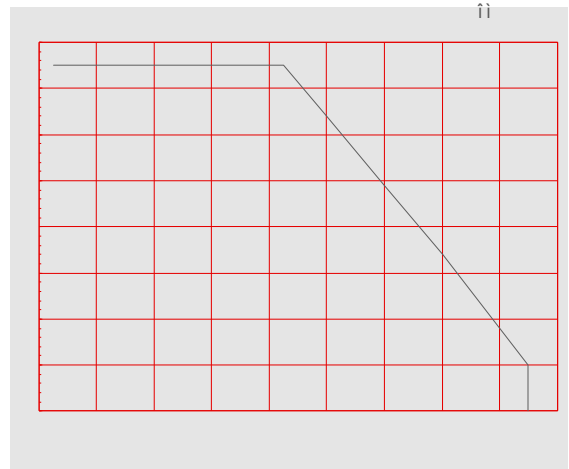


FIG.3:

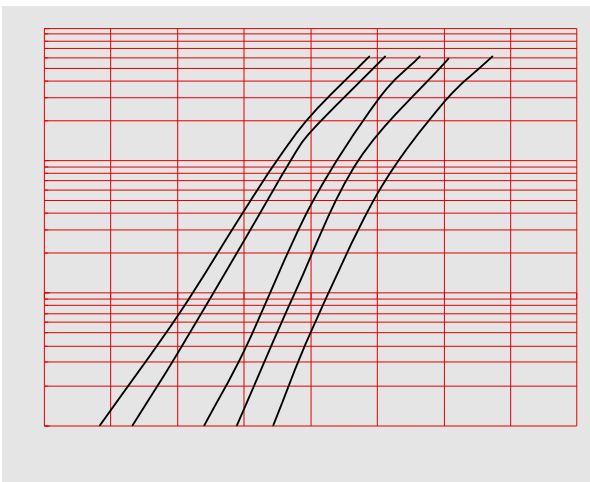
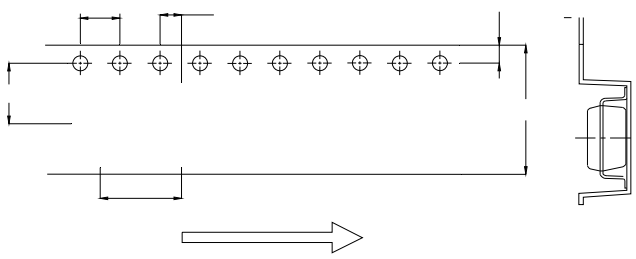


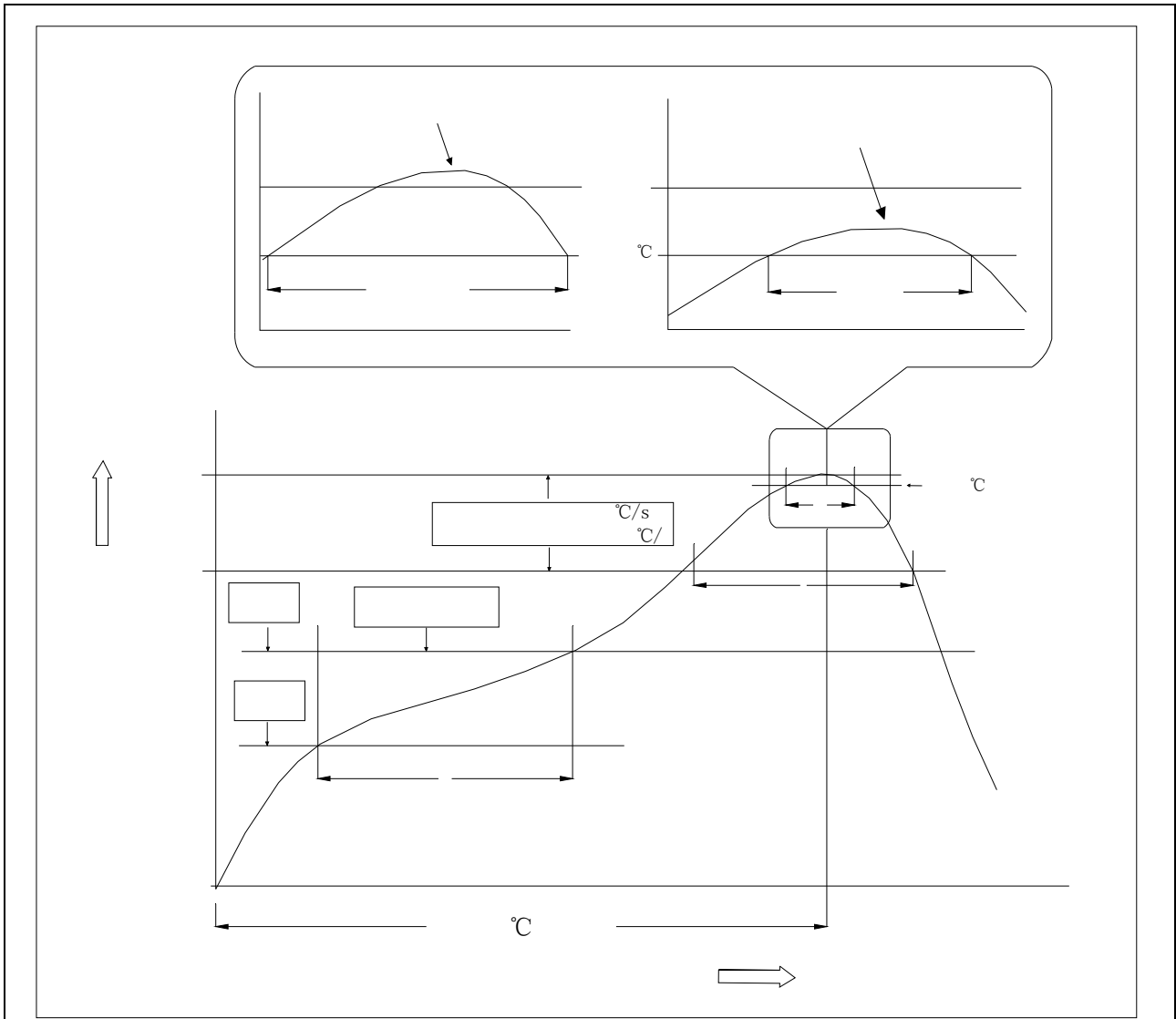
FIG.4:

CARRIER TAPE SPECIFICATIONS (Dimensions in mm unless otherwise stated)

Option None



REFLOW INFORMATION



Profile Feature	Sn-Pb Assembly Profile	Pb-Free Assembly Profile
		°C
		°C
	°C	°C
	°C	°C
	°C °C °C	°C °C °C
°C °C		
	°C	°C
°C		

