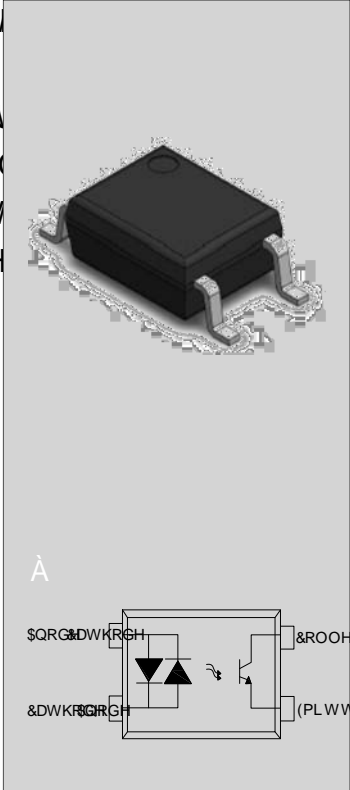




^ Z/Wd/KEW

7KH SURGXFWV DUHF RUSODQVULWWRUDRSSO
 SDFNDJH 7KH GHYLFSDFRPELQHVDDQHG
 GLRGHDV WKH HPLWWHU ZKLFK LV RSDW
 SKRWRWUDQVLVWRVKIGHURERWWUFRSO
 VWUXFWXUH WKHGHPRFWVSWRYEGHNLW
 7KH SURGXFWV DUHVZLGHFOPRVGHGSRZH
 SURJUDPPDEOHFRXQWHUKROGHDSSOLDQF
 HTXLSPHQW



D /E & dhZ ^

+LJK LVRODWLRQ 9506
 2SHUDWLQJ WHPSHUJHDWXUWR f &
 5R+6 5(\$&+ &RPSOLDQFH
 +%0 + \$ 00 &'0 &
 &4& DSSURYHG
 9'(DSSURYHG
 8/ DSSURYHG

^K>hd D y/DhD Z 7H/ESAUDWXUH f &

Parameter	Symbol	Value	Unit
,QSXW)RUZDUG &XUUHQW ,)		
	3HDN)RUZDUG &XUUHQW	7	\$
	5HYHUVH 9ROWDJH 95		
	3RZHU 'LVVLSDWLRQ 3'		
2XWSXW	&ROOHFWRU HPLWWHU 2 9ROWDJH	9	
	(PLWWHU FROOHFWRU 2 9ROWDJH	9	
	&ROOHFWRU &XUUHQW		
	3RZHU 'LVVLSDWLRQ 3&		P:
7RWDO 3RZHU 'LVVLSDWLRQ	3WRW		P:
,VRODWLRQ 9ROWDJH	9LVR	8	9UPV
2SHUDWLQJ 7HPSHUJHDWXUH	7RSU	a	
-XQFWLRQ 7HPSHUJHDWXUH	7M		

6WRUDJH 7HPSHUDWXUH	7VWJ	a	
6ROGHULQJ 7HPSHUDWXUH	7VRO		

EKd îî • %µo • U îî, Ì (œ µ v Ç
 EKd î ()œ íu]vµš U ZX, XAđi • òì9

> dZ/ > , Z d Z7AØ/SAUDWXUH f &

Parameter		Symbol	Condition	Min.	Typ.	Max.	Unit
, QSXW)RUZDUG 9ROWDJH) " 9P\$,			9
	7HUPLQDO & DSDFLWWDQFH	9 1 0+] &					S)
2XWSXW	&ROOHFWRU (PLWWHU 9&(9 GDUN FXUUHQW ,&(2						Q\$
	&ROOHFWRU (PLWWHU ,& P\$ EUHDNGRZQ YROWDJH %9(2						9
	(PLWWHU &ROOHFWRU (P\$ EUHDNGRZQ YROWDJH %9&2						9
7UDQVIHU &KDUDFWH	&XUUHQW WUDQVHU UDWL) " P\$ 9&(9					
	&ROOHFWRU (PLWWHU) " P\$ 6DWXUDWLRQ 9ROWDJH, & P\$						9
	,VRODWLRQ UHVLVWDQFH	'& 9 a 5 +		5			
)ORDWLQJ & DSDFLWWDQFH	9 1 0+] &					S)
	HULVWLFV	9&(9					
	&XW RII)UHTXHQF\	& P\$ 5/ G %					N+]
	5LVH 7LPH	W					V
)DOO 7LPH	W	9&(9 & P\$				
5HVSQRVH 7LPH	WQ Wl	5/					

EKd Z v l d o } (µœœ v š~dœµ%• (œœš µZœš J) î ñ £ •

CTR Rank	Min. (%)	Max. (%)	Test Condition
3) , " P\$ & 9 9
) , " P\$ & 9 9
4) , " P\$ & 9 9
) , " P\$ & 9 9

Z Æ š Æ] • š] • μ Æ Å •

FIG.1: 0D[\$ OORZDEOH /(')RUZDUG \$ PELHQW 7HPSHUDWXUH

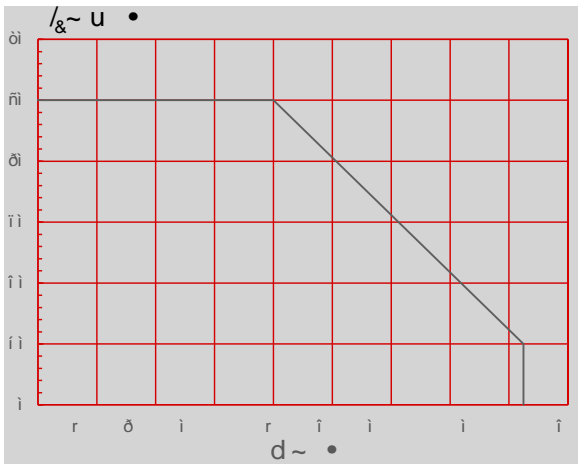


FIG.2: & R OOHFWRU 3RZHU 'LVVLSWLF 7HPSHUDWXUH

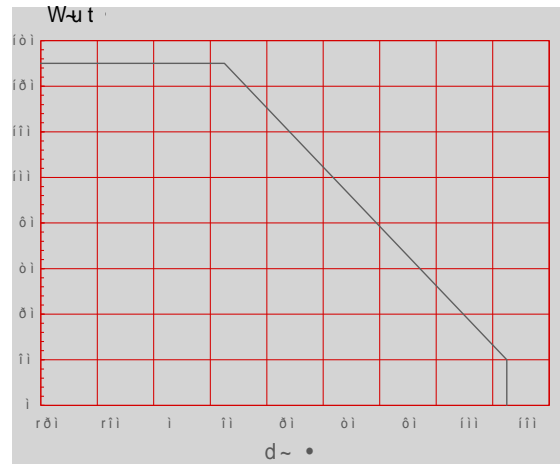


FIG.3:)RUZDUG & XUHQW YV)RUZDUG

FIG.4: R OOHFWRU 'DU YV \$ PELHQW 7HPSHUDWXUH

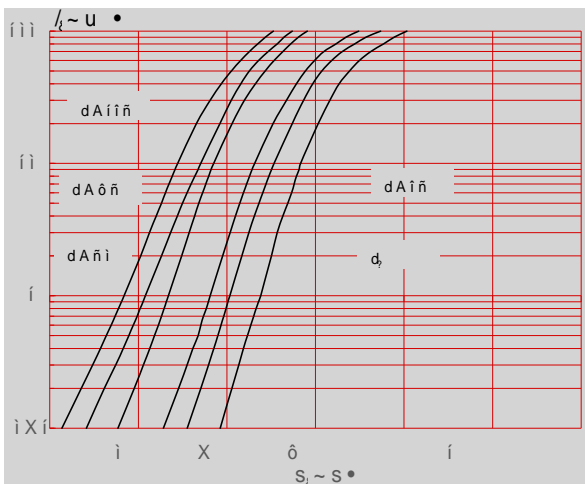


FIG.7: 1RUPDOLJHG & XUHQW 7UDQV IFIG.8: 51RWLPD YJHG & ROOHFWRU HPL
 \$PELHQW 7HPSHUDWXUH 9ROWDJH YV \$PELHQW 7HPSHUDV

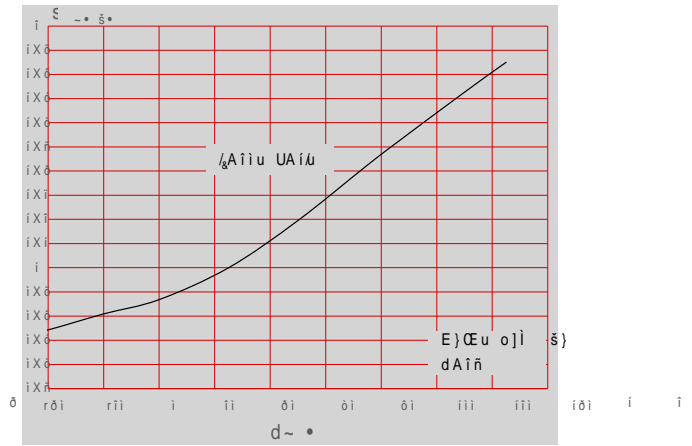
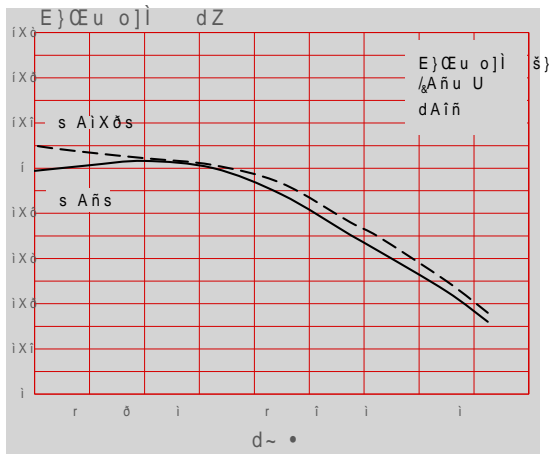
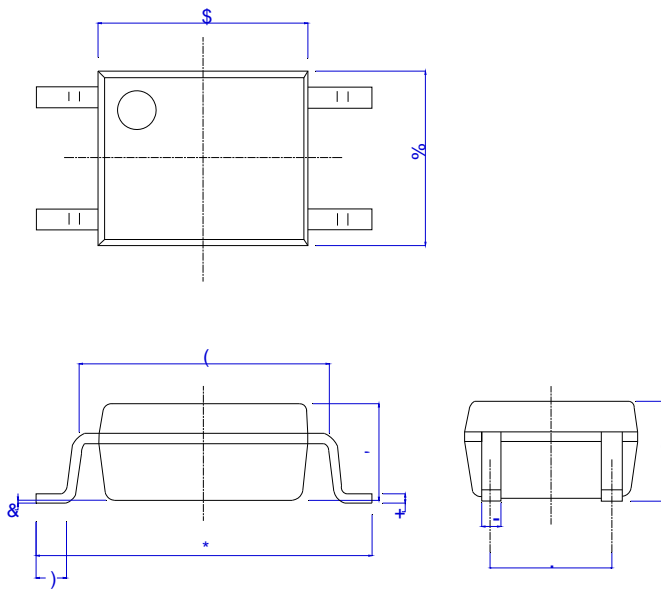


FIG.9: 5HVSQRVH 7LPH YV /RDG 5HV IFIG.10: Q BHTXHQF\ 5HVSQRVH

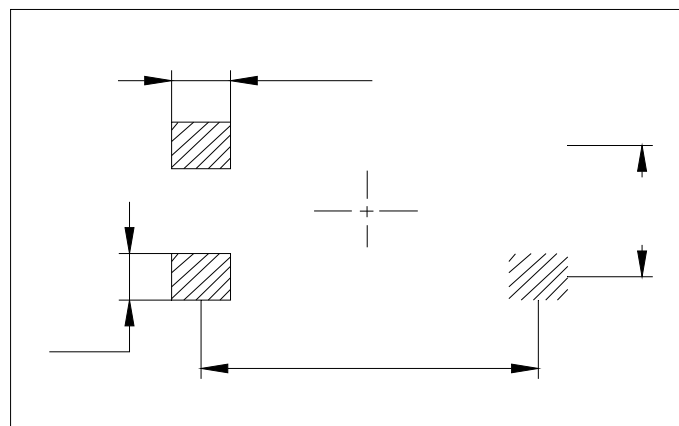


W I P [u v•]}v ~hv]šW uu•



5HI	'LPHQVLRQV					
	0LOOLPHWHUV ,QFKHV					
	0LQ	7\S	0D[0LQ	7\S	0D[
\$						
%						
&						
'						
(
)						
*						
+						
'						
-						
.						

Z KDD E ^K> Z D ^< ~]u v•]}v•]v uu μvσ •• }šZ Œ



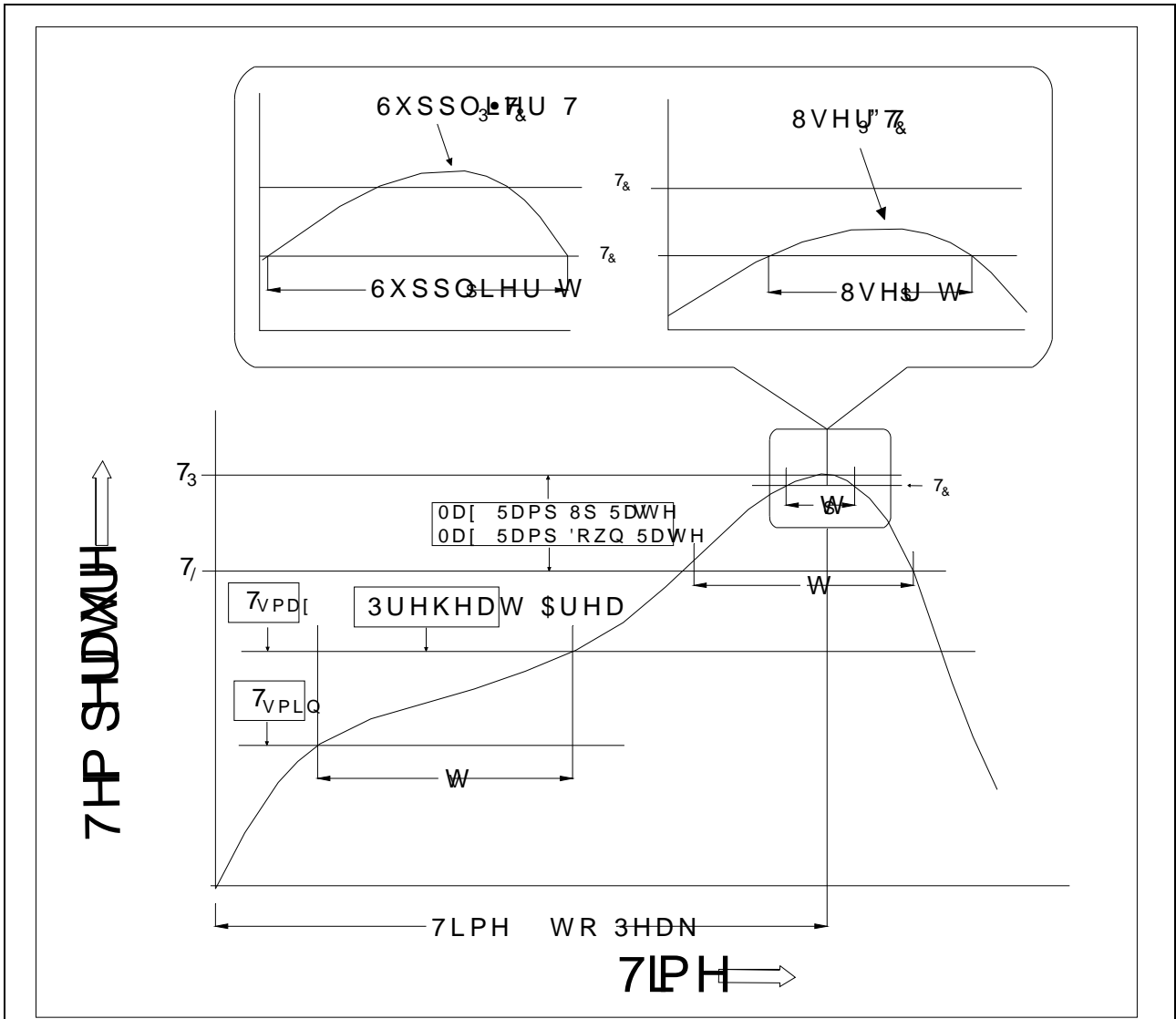


ZZ/ Z d W ^W /&/ d/κ]E^ }v]uu μνo •••ššž ĆÁ]•

Option None

⊖

Z > Kt / E & KZD d / KE



Profile Feature	Sn-Pb Assembly Profile	Pb-Free Assembly Profile
7HP SHUDWXUH 0LQ	7VPLQ	
7HP SHUDWXUH 0D[7VPD[
7LPH WV IURP 7VPLQ WR 7VPD[VHFRQGV
5DPS XS 5DWH W/ WR W	VHFRQGV PD[VHFRQGV PD[
/LTXLGXV 7HP SHUDWXUH 7/		
7LPH W/ 0DLQWDLQH \$ERYH 7/		VHFRQGV
3HNDN %RG\ 3DFNDJH	7HP SHUDWXUH	
7LPH W3 ZLWKLQ		VHFRQGV
5DPS GRZQ 5DWH 73 WR	VHFRQGV PD[VHFRQGV PD[
7LPH WR 3HNDN 7HP SHUDWXUH		PLQXWV HV PD[

1RWH

5HIORZ VROGHULQJ LV UHFRPPHQGHG/ DWRZKH QHPSHWDWWDQW DQW DQW
\$YRLG GLUHFV FRQVHDVSRPHQZDQWWRUDFRU H[FHHGLQJ LWV PD
VWRUDJH WHPSHUDWXUH

\$SSOLFDWLRQ RKHUSRYXENRQLVLSOHGDDWHG WHPSHUDWXUHV ,QV
VFHQDULRV DQHPSVOLGRWRHFFHHG 1

(QVXUH WKH FRPSRQHGW KDV FRROHG SURPHQVHQDQWZLXPSWHDXHQL
PDQXIDFWXULQJ VWHSV

7KH FRPSRQHGW KDV BQKHODUZKHQVWDQGHGKFRQGLWLRQV

5HFRPPHQG VWRUDJH 7HPS a f&

5HFRPPHQG VWRUDJH KXPLGLW\

06/ OHYHO 06/

,QIRUPDWLRQ IXUQXFKHQ/ LQ WKOLHGMFB DQGEUHDQFLDXLDDH +R
-LDQJVVX -LH-LH 0LRRHOWHFDWRVQLFHVQLRVUHRUSRQVLEFRQVHT
RI XVH ZLWKRXW FRQVLGHUDWLRQ IRG MWFKQIQIRUPDWLRQ
LQ WKLV GRFXPHQVLDQJYXZLWHFRXWRQRWLFH DSDUW IURP V
VLJQHGH -LDQJVVXOLHVLZLFRKPWKH DJUHHPHQW

3URGXFWV DQG LQIRUPDWLRQ SURYLGHLQJLQPHQWVRGFSFXPH
-LDQJVVX -LH-LH DVVXIPHLVQW\URVSDQVLQIULQJPHQW RI RW
ZKLFK PD\ UHVXOW IURP WKH XVH RI VXLK SURFXPHQW DQGS HL
DQG UHSODFHV DOO LQIRUPDWLRQ SUHYLRXVO\ VXSSOLHG



LV D UHJLVWHUHGDQJDXGLPHUNRUF-URHOWHFWURQLFV &R
&RS\ULJKW -LDQJVVX -LH-LH QLVRRHOWHFGVSDQGLJKWV UHVH