





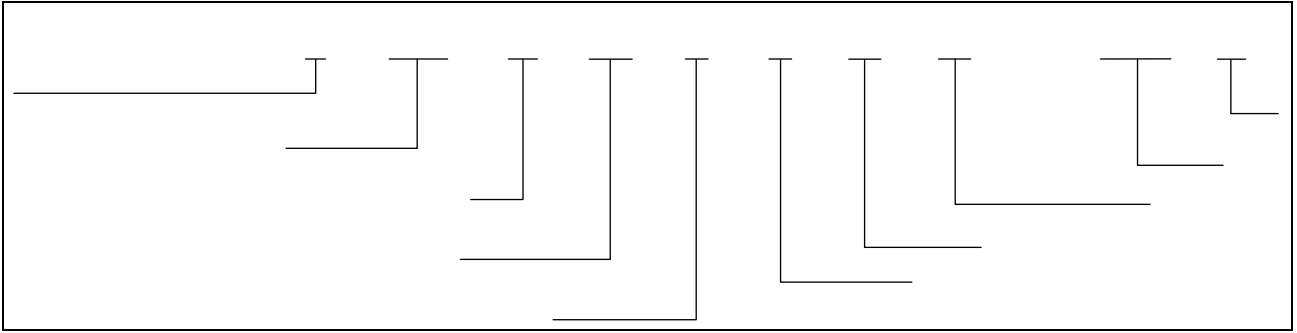

NOTE1:

NOTE2:

### ELECTRICAL CHARACTERISTICS

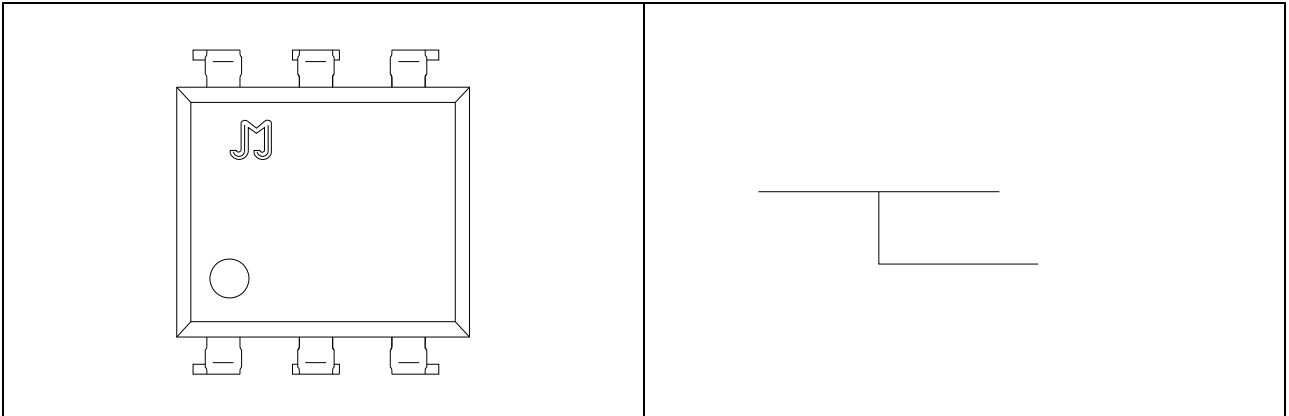



## ORDERING INFORMATION



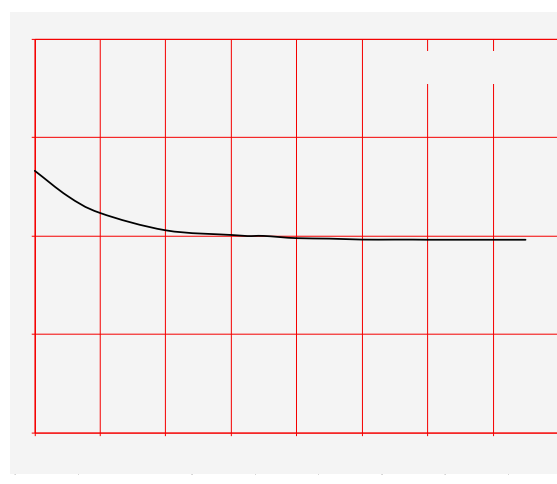
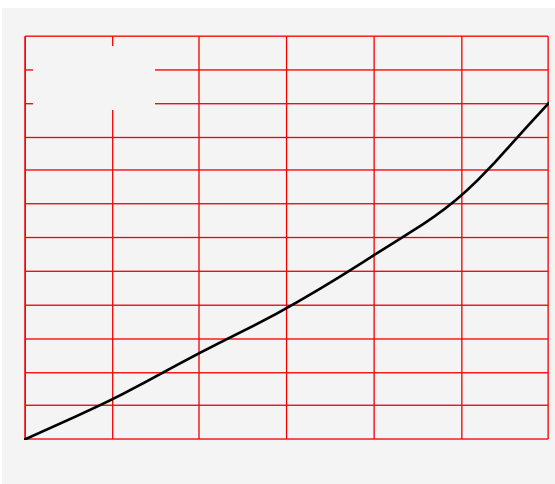
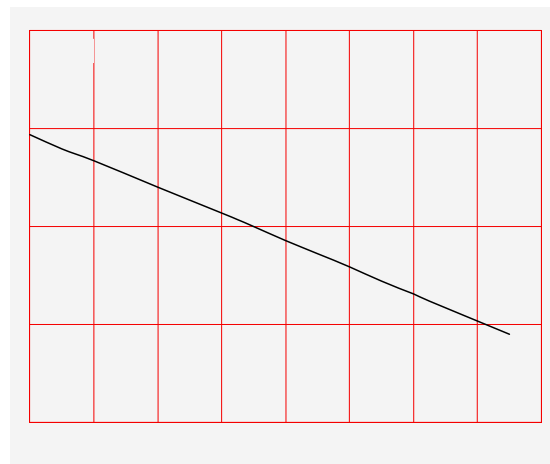
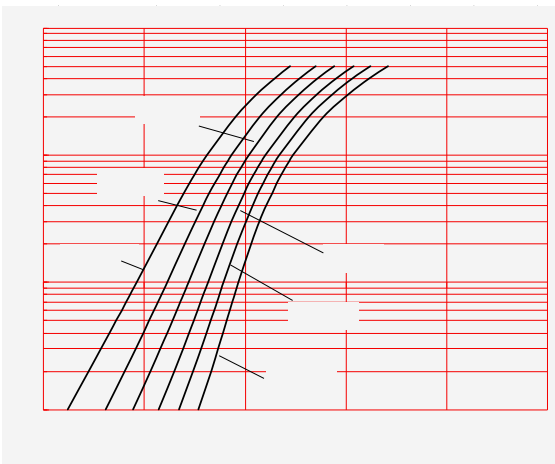
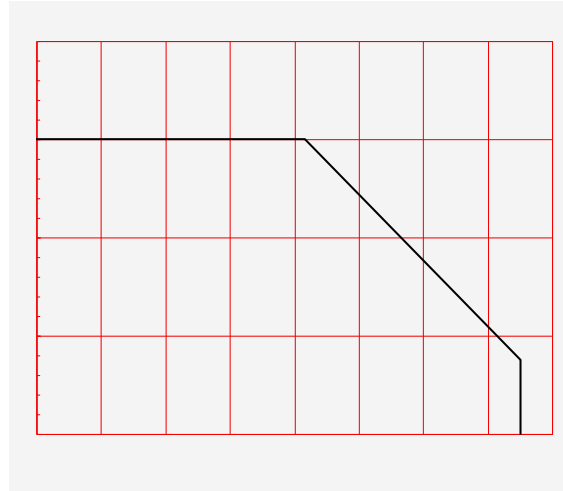
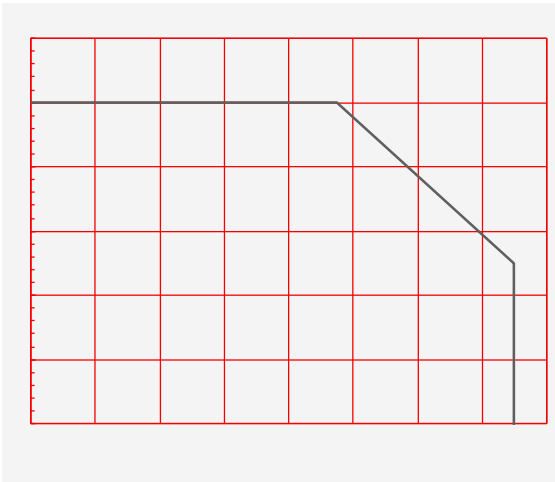
Packing Quantity	
Option	Quantity

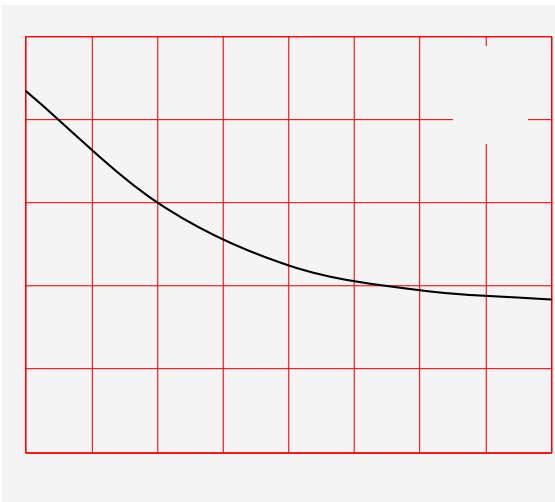
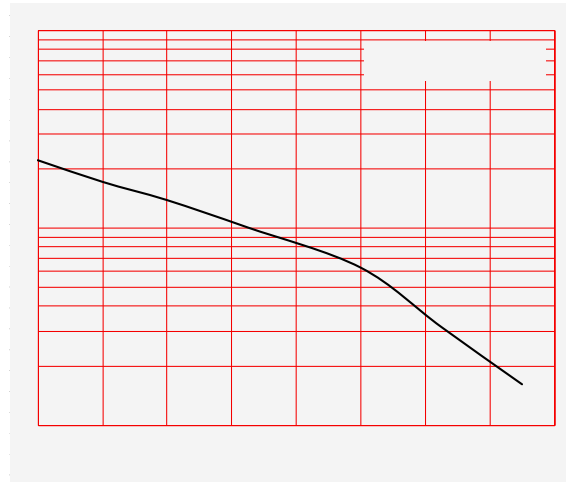
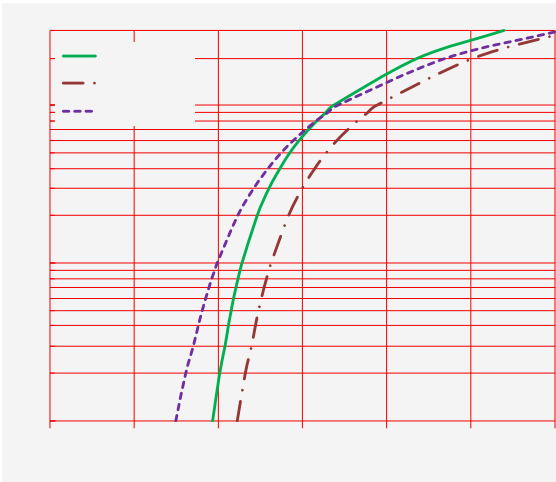
## MARKING





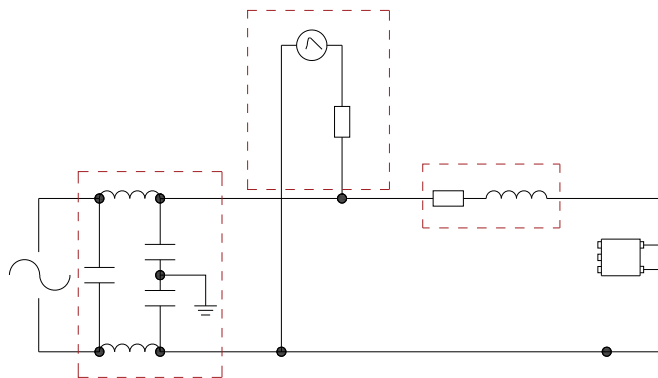
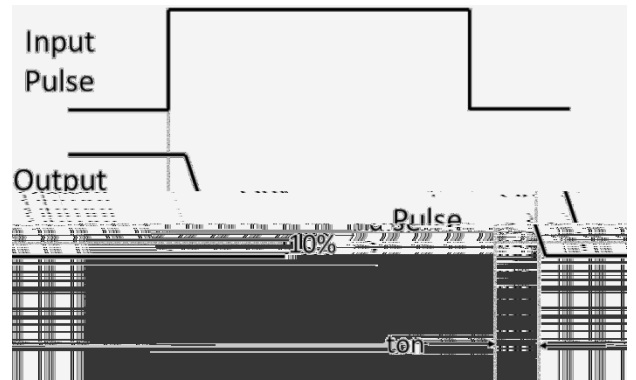
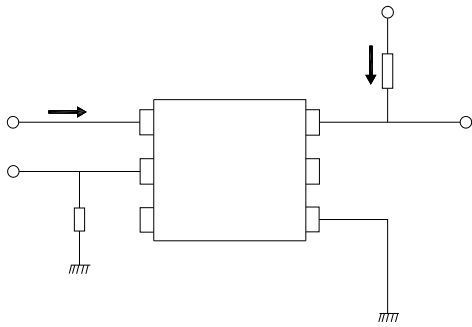
## Characteristics Curves







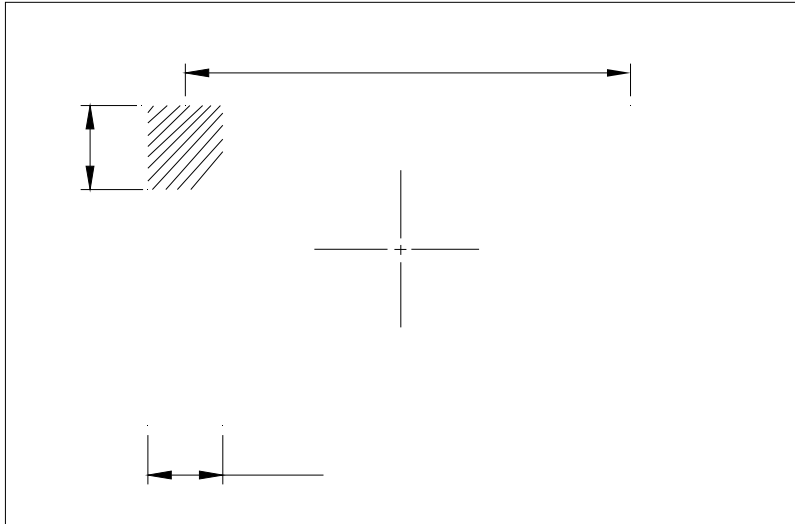
## TEST CIRCUITS







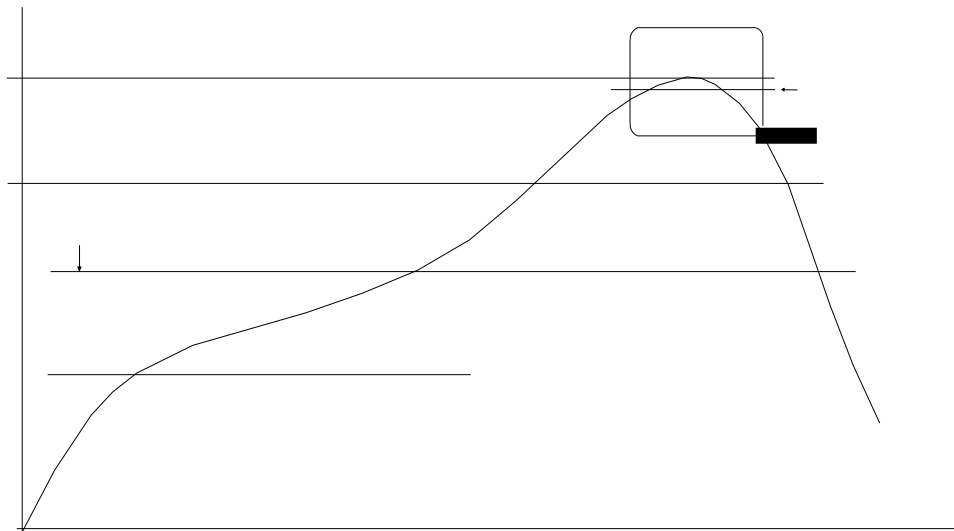
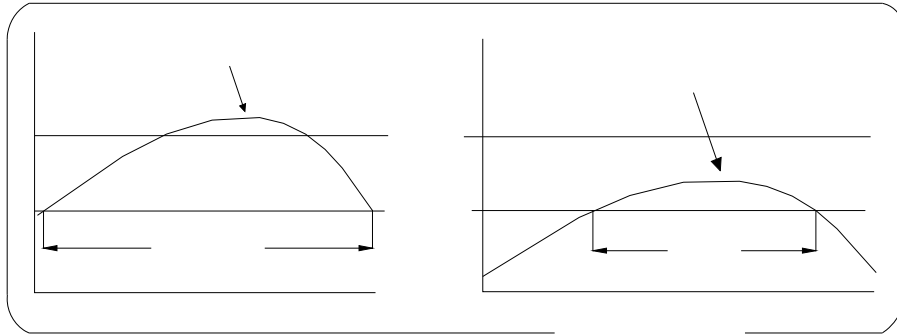
RECOMMENDED SOLDER MASK (Dimensions in mm unless otherwise stated)





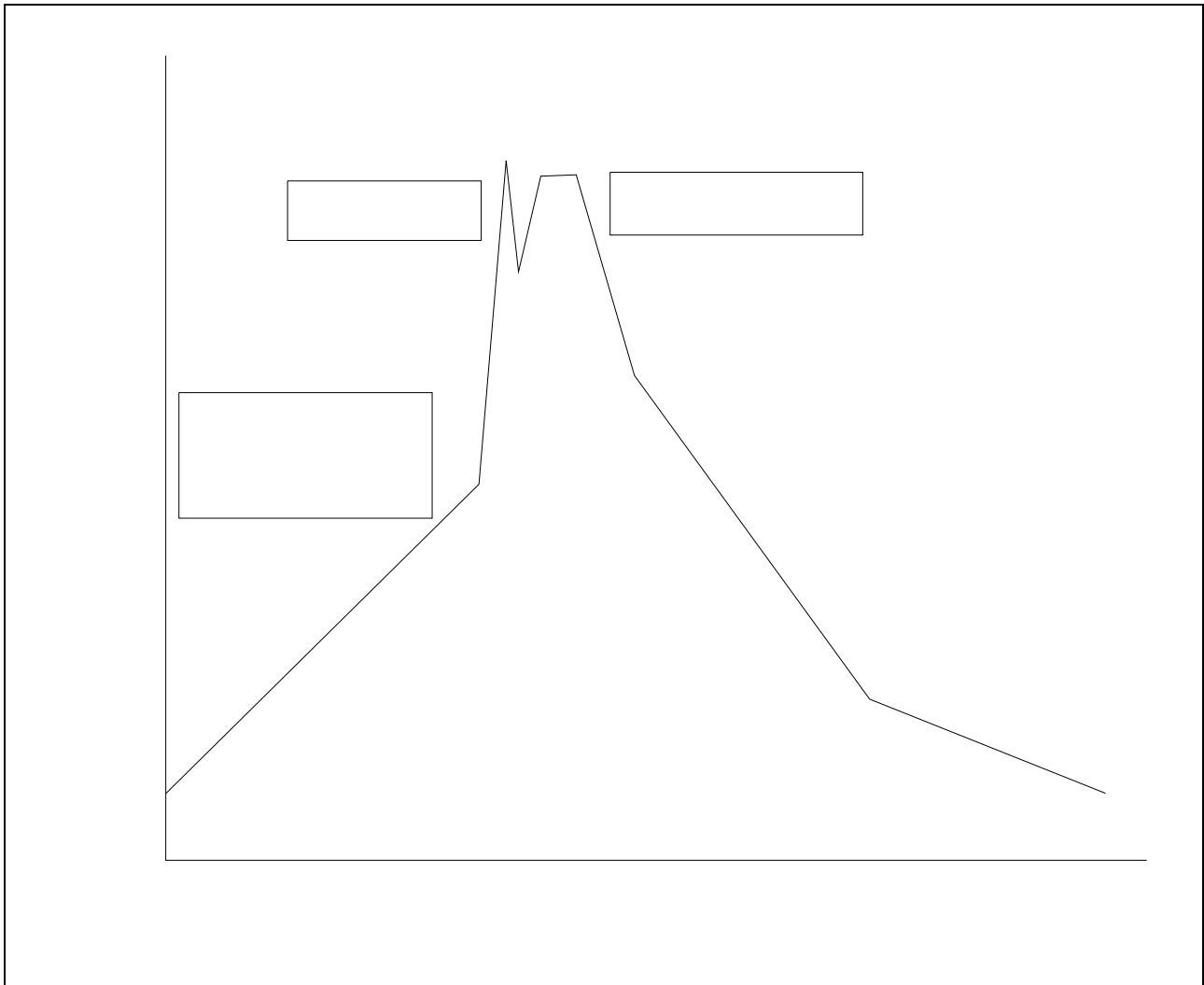


## REFLOW INFORMATION





## WAVE SOLDERING



## HAND SOLDERING BY SOLDERING IRON

±

