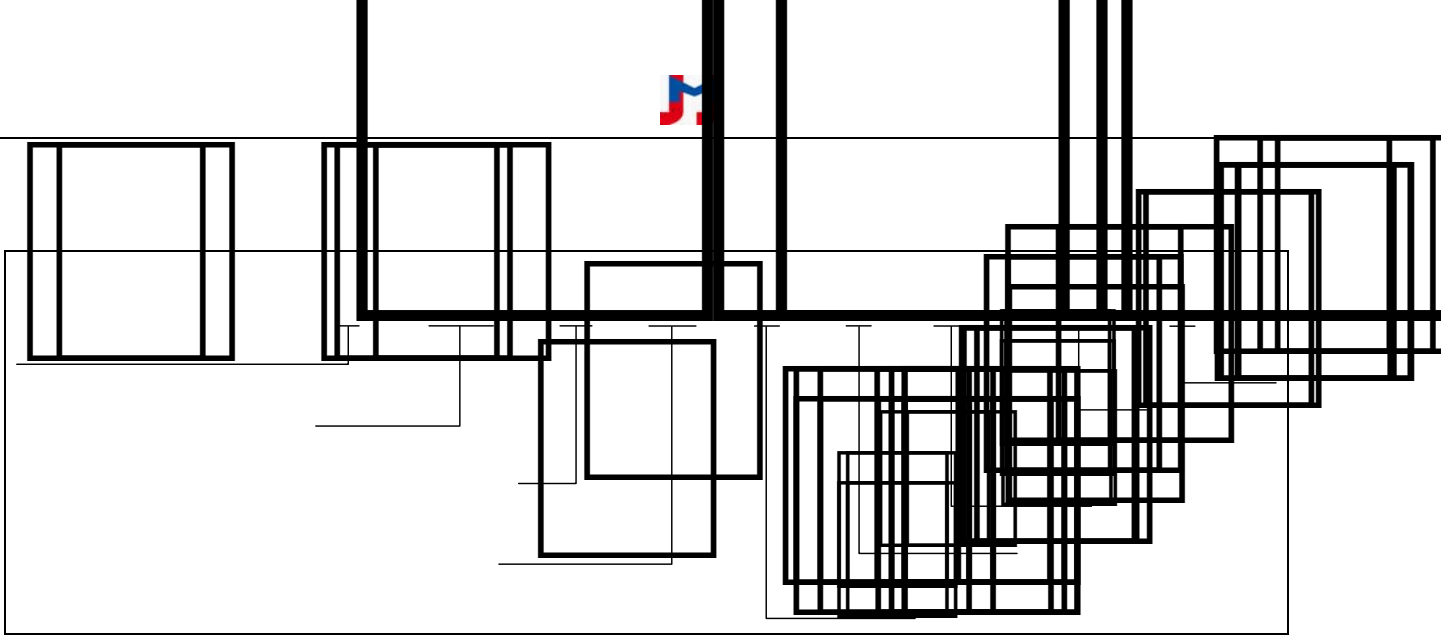


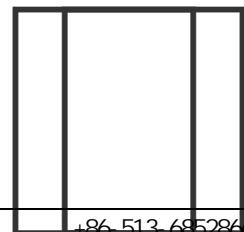
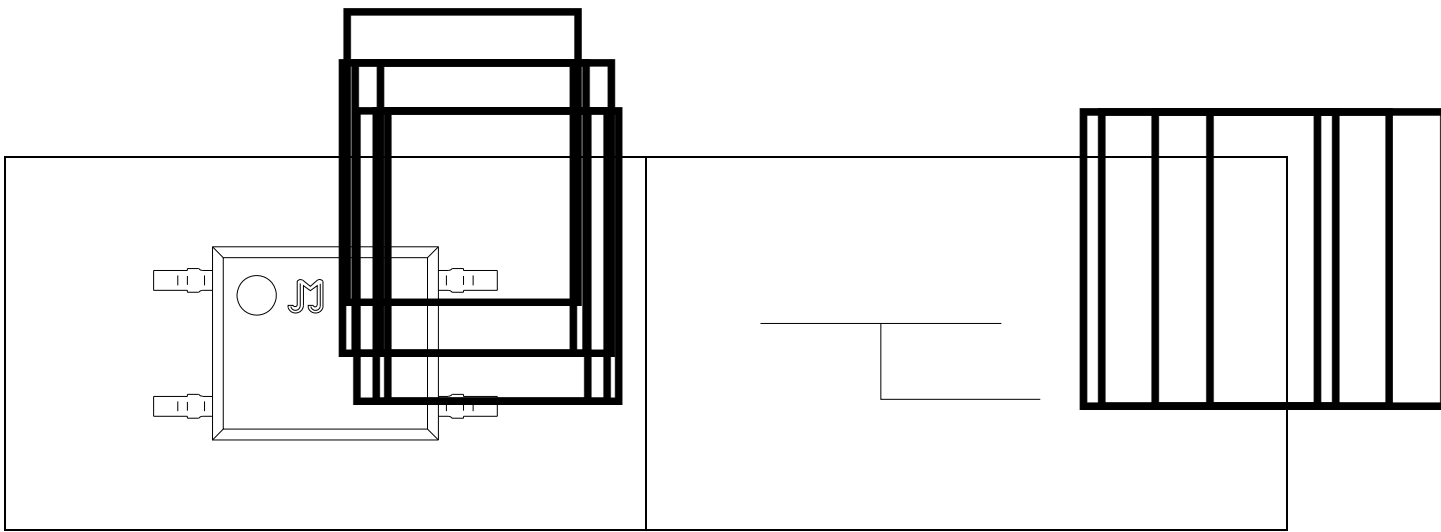


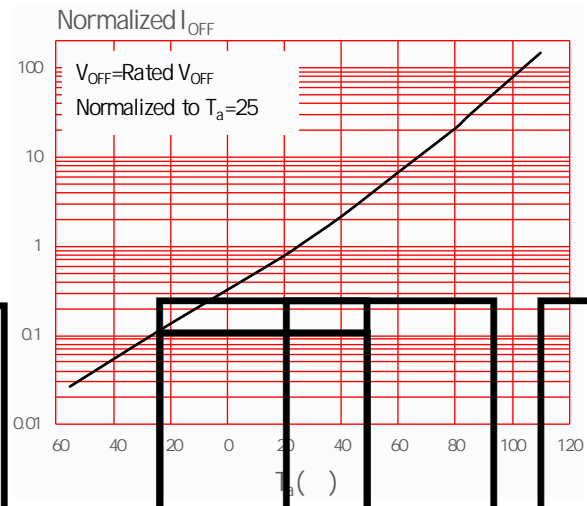
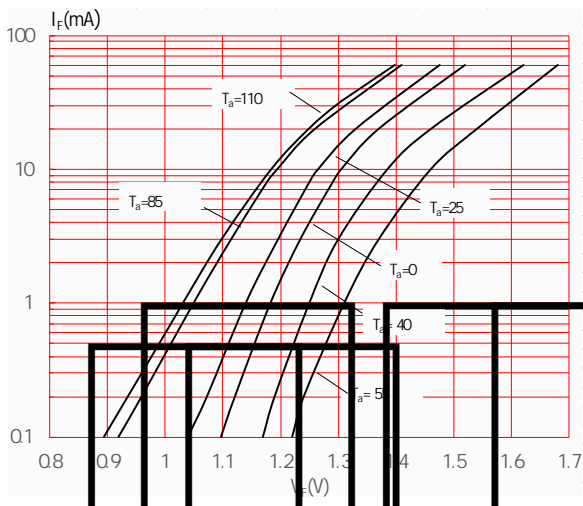
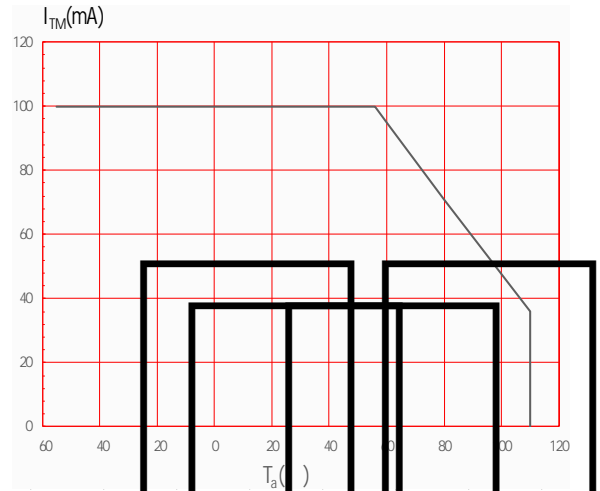
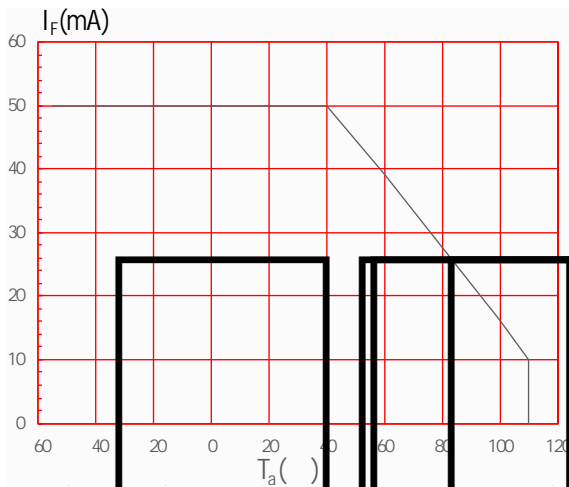
: 100 s pulse, 100 Hz frequency  
: AC for 1 minute, R. H. = 40-60%

: Test voltage must be applied within dV/dt ratings  
: Refer to Fig.14 & Fig.15



None/R	3000 Units/Reel





$T_a$ (°C)	$I_F$ (mA)	$I_{TM}$ (mA)	Normalized $I_{OFF}$
60	50	100	~0.02
85	~30	~60	~0.1
110	10	35	~100

