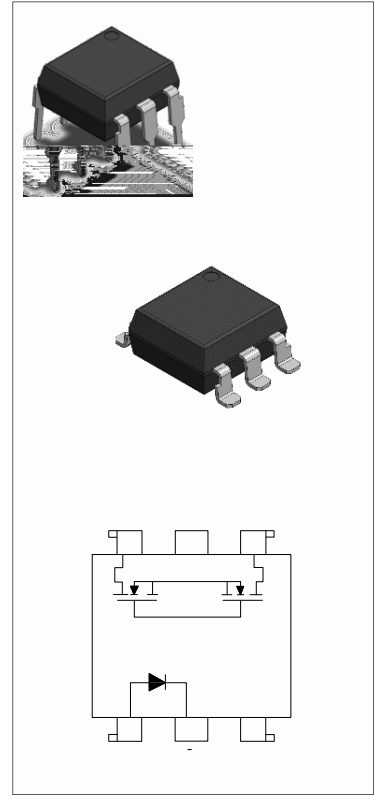




DESCRIPTION:



MAIN FEATURES

ABSOLUTE MAXIMUM RATINGS

Parameter		Symbol	Value	Unit	

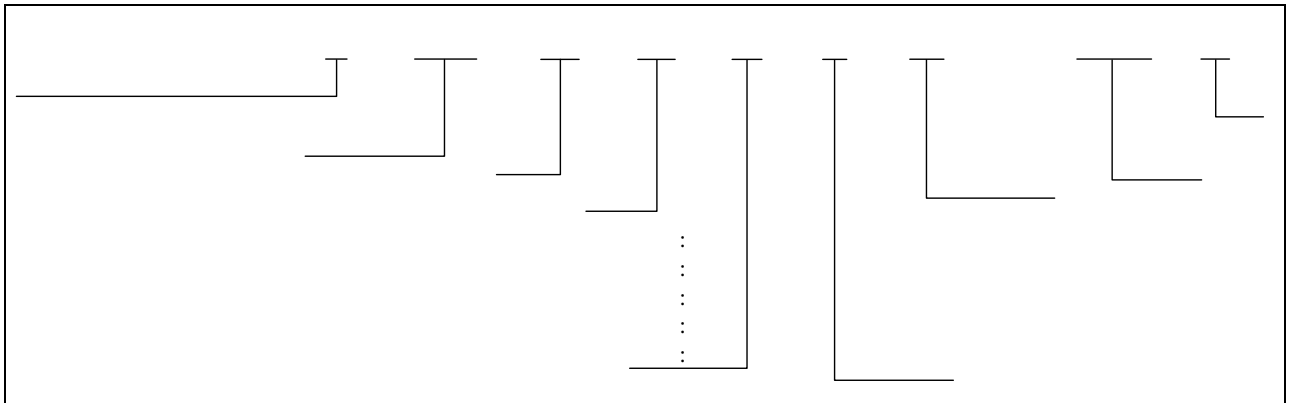
NOTE1:

NOTE2:

ELECTRICAL CHARACTERISTICS

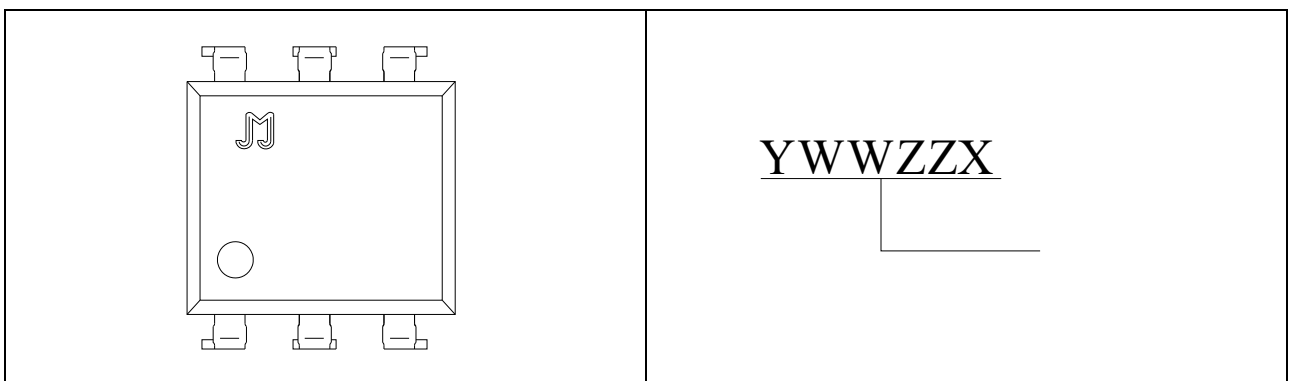
Parameter		Symbol	Condition	Min.	Typ.	Max.	Unit

ORDERING INFORMATION



Packing Quantity	
Option	Quantity

MARKING



Characteristics Curves

FIG.1:

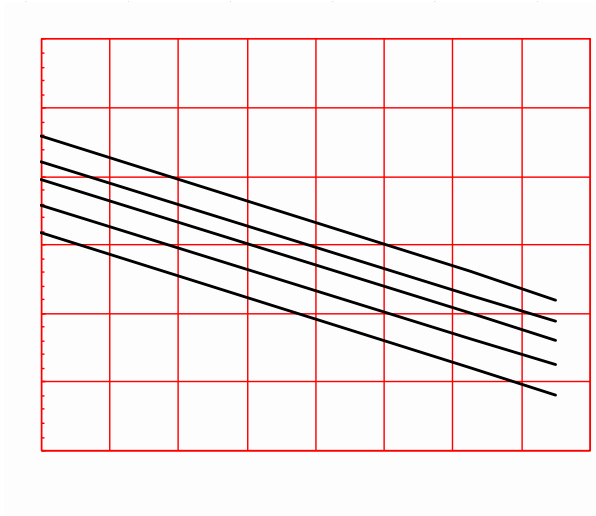


FIG.2:

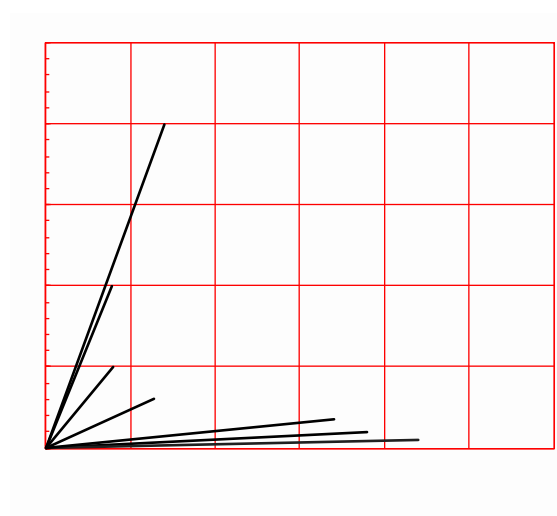


FIG.3:

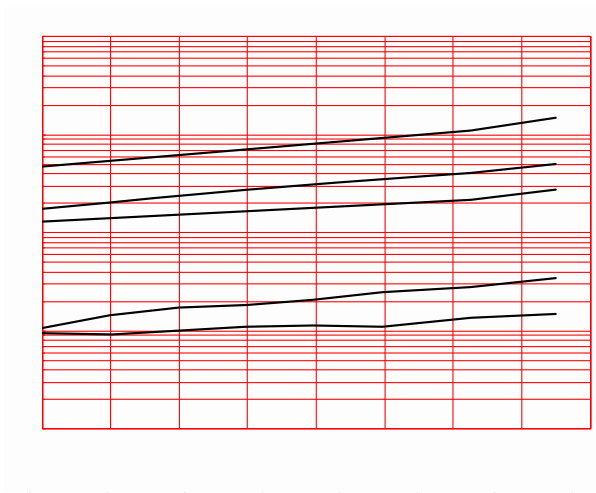


FIG.4:

FIG.7:

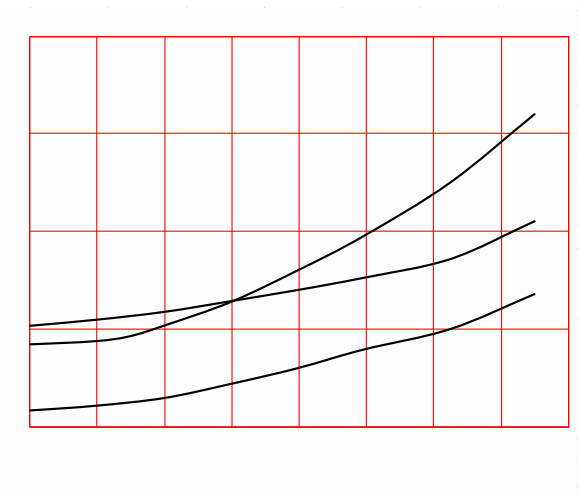
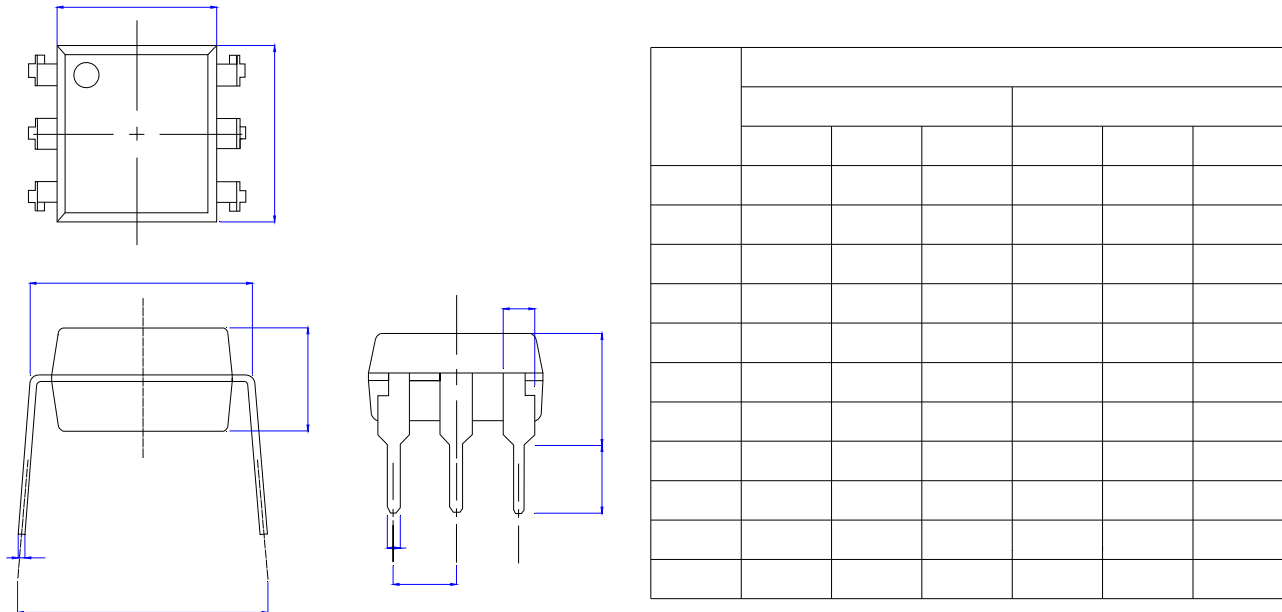


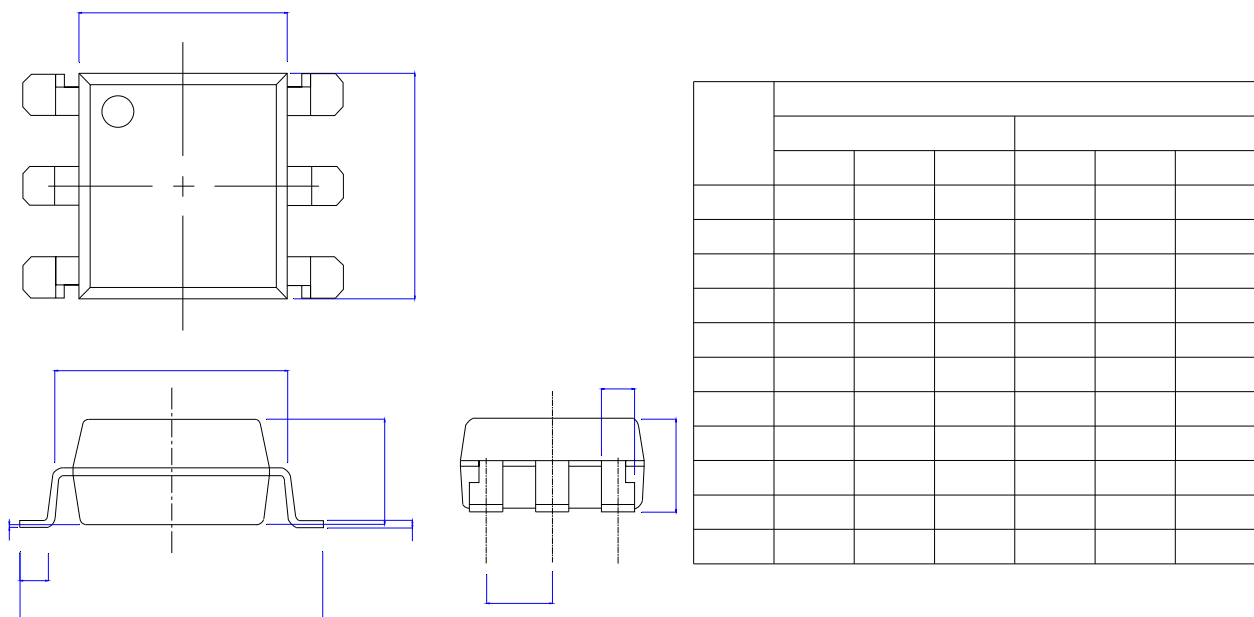
FIG.8:

Package Dimension (Unit: mm)

Standard DIP Type:

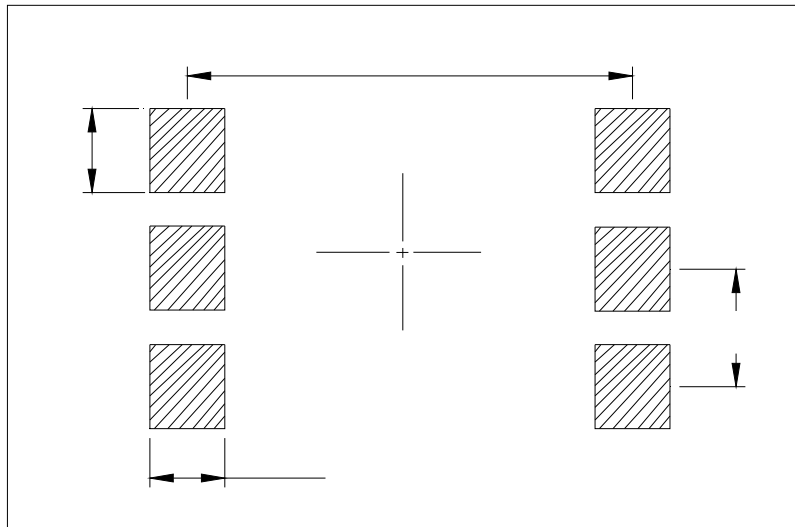


Option SMD Type:



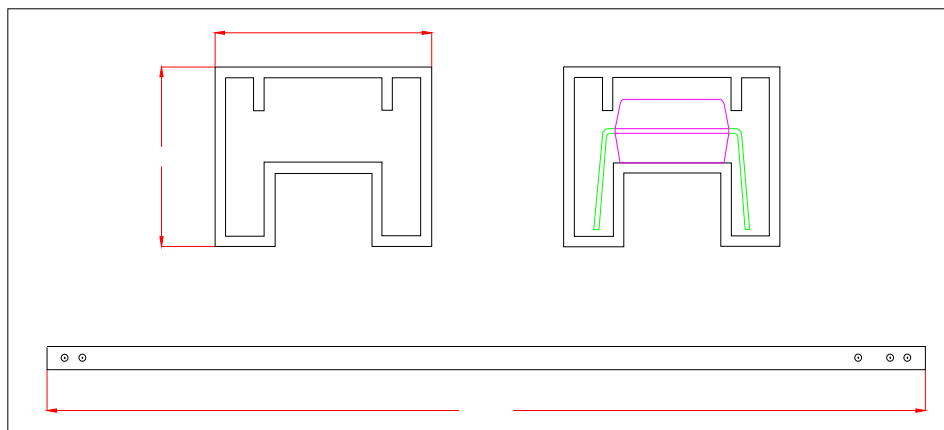
RECOMMENDED SOLDER MASK (Dimensions in mm unless otherwise stated)

Option SMD

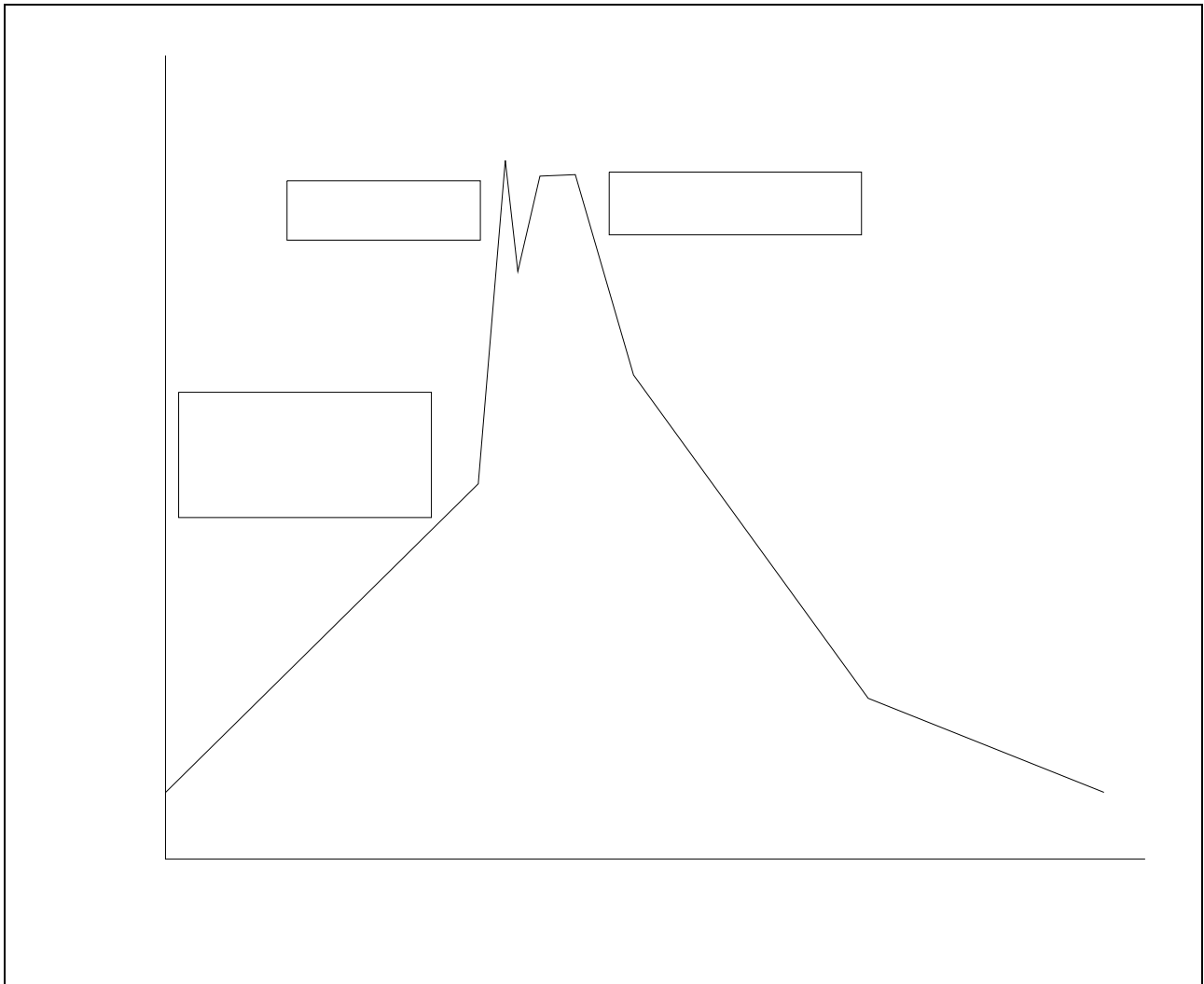


TUBE SPECIFICATIONS (Dimensions in mm unless otherwise stated)

Standard DIP



WAVE SOLDERING



HAND SOLDERING BY SOLDERING IRON

±

